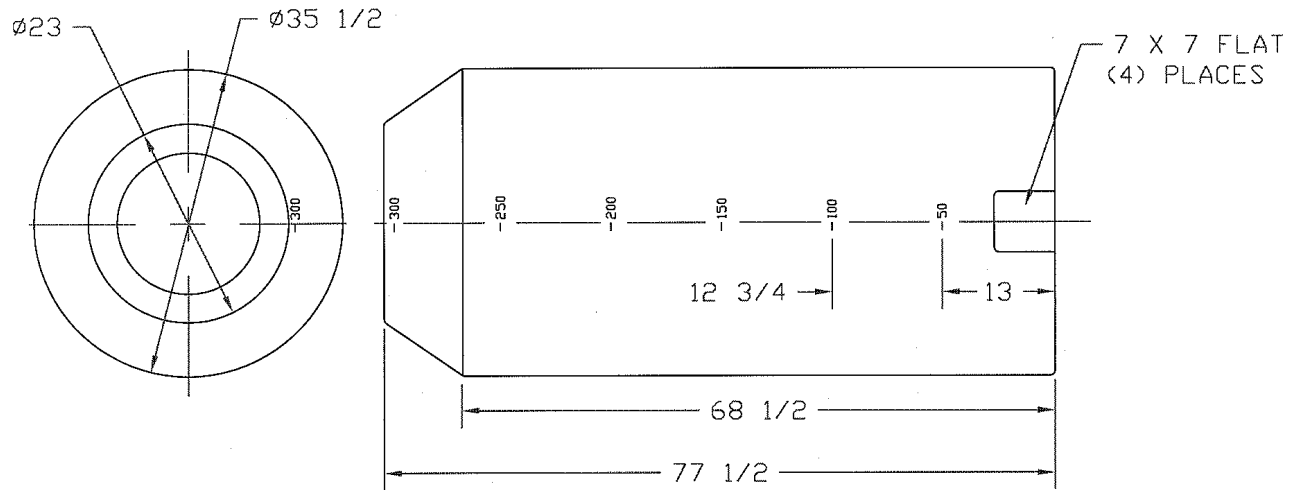




REVISIONS				
ZONE	REV	DESCRIPTION	DATE	APPROVED
	A	REDRAWN	9NOV95	



		ST. BONIFACIUS, MN		
		300 GALLON VERTICAL TANK		
JTP	9NOV95	SIZE A	FSCM NO.	DWG NO.
		SCALE 1/16	SHEET	