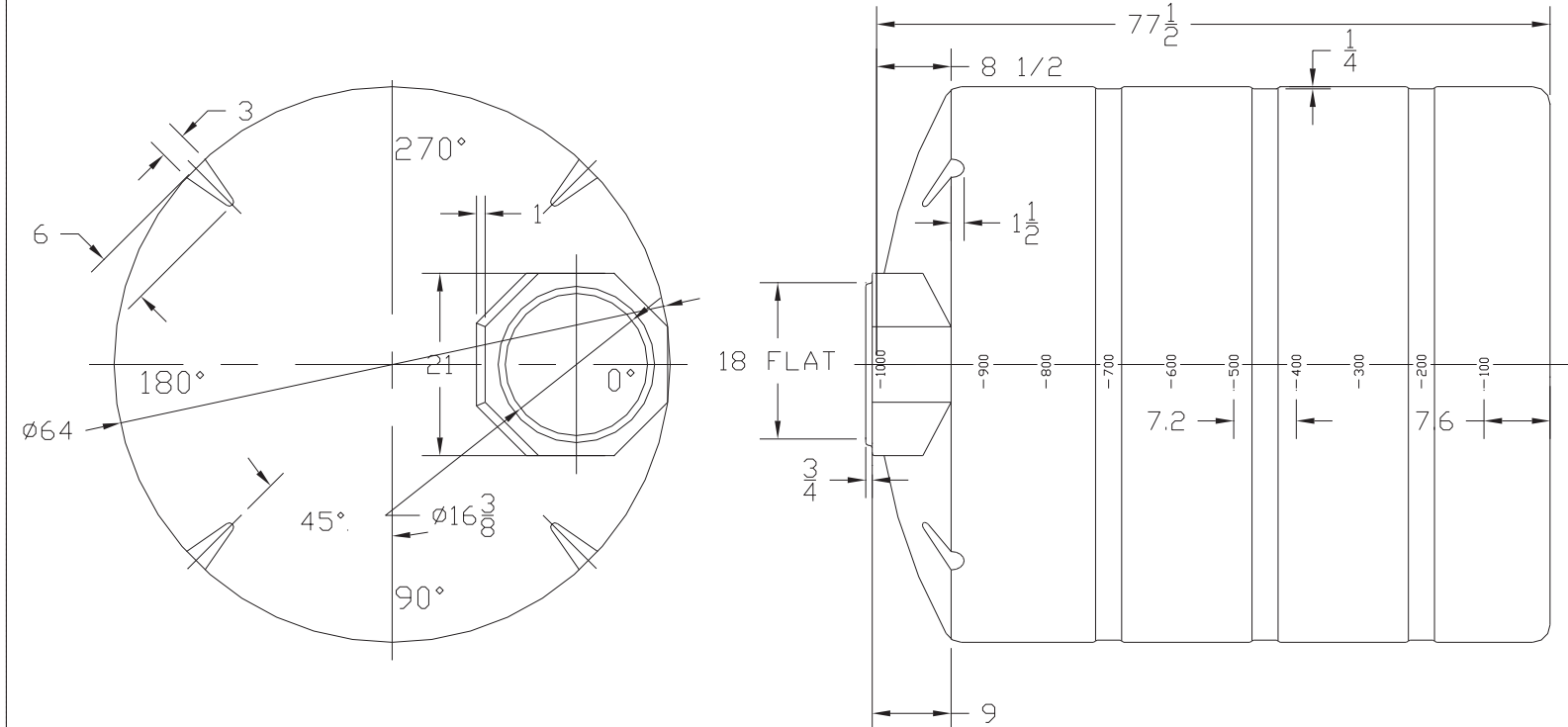




NORWESCO		REV
ST. BONIFACIUS, MN		
1000 USG (3785 LTRS)		
VERTICAL TANK		
204 WT LBS	PART NO	



ALL INFORMATION CONTAINED IN THIS DRAWING IS STRICTLY CONFIDENTIAL AND PROPERTY OF BARR PLASTICS INC. NO PART SHALL BE COPIED OR REPRODUCED WITHOUT THE WRITTEN CONSENT OF BARR PLASTICS INC.

Customer Drawing Approval

Customer _____

Barr Plastic Inc. _____



PROJECT: - TANK APPROVAL DWG

CLIENT: -

DRAWING REF: -

SCALE: -

REV: -

MATERIAL SPECIFICATIONS

HDPE 1.5 SPG

ALL FITTINGS ARE POLYPROPYLENE WITH EPDM GASKETS