



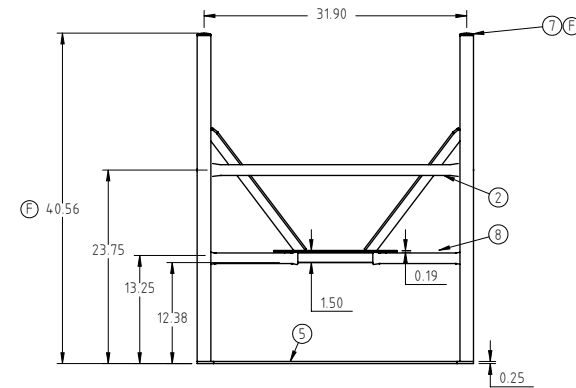
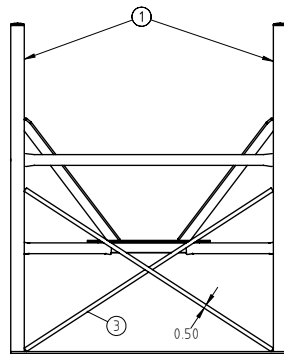
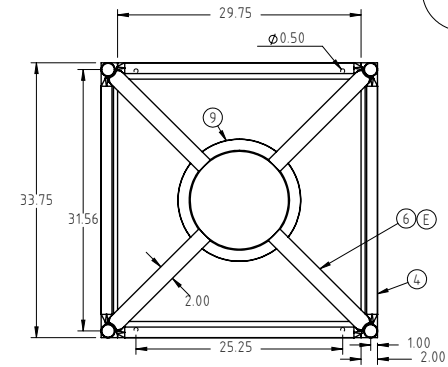
© DEN HARTOG INDUSTRIES, INC.

Copyright: All information furnished within this document, electronic file or design correspondence is the property of Den Hartog Industries, Inc. and shall not be used, disclosed to others or copied without the expressed written consent of Den Hartog Industries, Inc.

KEY	PART NUMBER	MATERIAL	DESCRIPTION	QTY.
1	CB042-45ST-1	T1660X01090	1.66 RD MILD STL FULL	4 @ 40 IN (160 IN)
2	CB042-45ST-2	T1000X01090	1" OD ROUND MILD STEEL .109 WALL	4 @ 30 IN (120 IN)
3	CB042-45ST-3	R05000	1/2" MILD STEEL ROD	4 @ 36 IN (144 IN)
4	CB042-45ST-4	B02500X20000	1/4 X 2 FLAT BAR	2 @ 33.75 IN (67.5 IN)
5	CB042-45ST-5	B02500X20000	1/4 X 2 FLAT BAR	2 @ 29.75 IN (59.5 IN)
6	CB042-45ST-6	S-2500	SHEET, 1/4" SHEET STEEL	4 @ 21.75 X 2 IN (174 SI)
7	12686	62202	1-1/2" PIPE PLUG	4
8	CB042-45ST-8	T1000X01090	1" OD ROUND MILD STEEL .109 WALL	4 @ 15.25 IN(61 IN)
9	RAR-12	RAR-12	ROLLED ANGLE, 12" PLAIN	1

CB042-45ST

F



F	12686 PLUG WAS CB042-45ST-7,40.56 WAS 40.25	ADH 6/17/09	1888
E	SUPPORT STRAP DESIGN MODIFIED	ADH 2/6/09	1797
D	DESCRIPTION CORRECTED	ADH 2/5/08	1587
C	CB042-45ST-8 ADDED TO SCHEDULE	ADH 1/23/08	1578
B	TOLERANCE WAS 1% @68° F	GWC 3/8/07	
A	ADDED B.O.M.	NVE 5/15/06	
REV	DESCRIPTION	BY / DATE	CCN

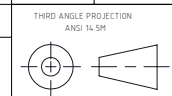
DRAWN / DATE	MATERIAL
ADH 6/15/07	
APPRD. / DATE	
REH 7/12/07	



Den Hartog
INDUSTRIES, INC.

Ace Roto-Mold Injection Molding Blow Molding Sowjoy
4010 HOSPERS DRIVE S. BOX 425, HOSPERS, IOWA 51238-0421

ALL DIMENSIONS ARE IN DECIMAL INCHES
TOLERANCES UNLESS OTHERWISE SPECIFIED
POLYETHYLENE
±1% @ 68° F



THIRD ANGLE PROJECTION
ANSI 14.5M

SHOT WEIGHT:
SHIPPING WEIGHT:
FINISH:

DESCRIPTION	STAND FOR 45• 200,300,350 GALLON CONE BOTTOM TANKS
SCALE	N.S.
PART NO.	CB042-45ST