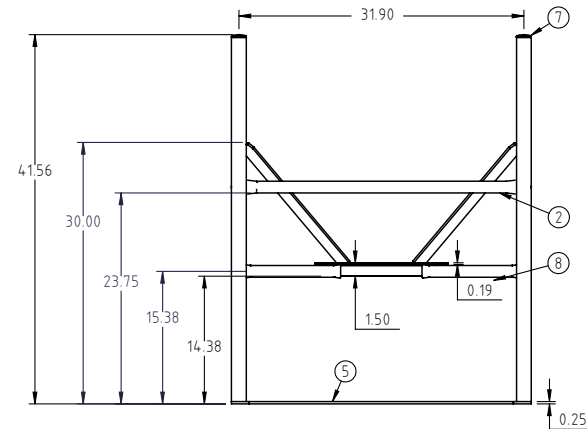
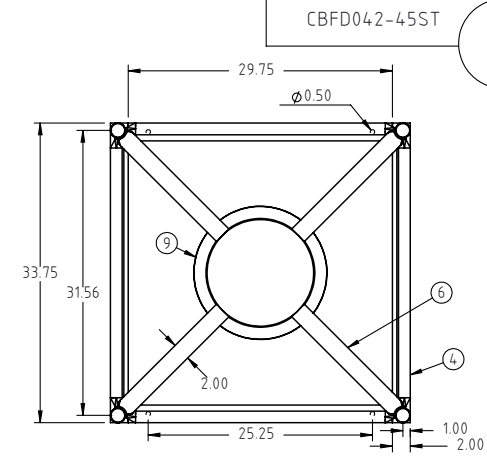
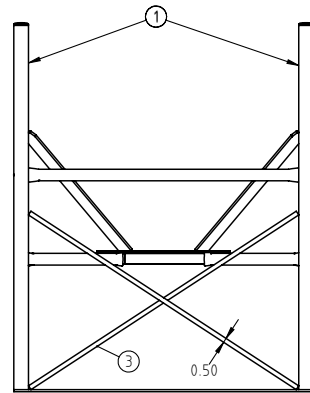





© DEN HARTOG INDUSTRIES, INC.

Copyright: All information furnished within this document, electronic file or design correspondence is the property of Den Hartog Industries, Inc. and shall not be used, disclosed to others or copied without the expressed written consent of Den Hartog Industries, Inc.

KEY	PART NUMBER	DESCRIPTION	QTY.
1	CBFD042-45ST-1	LEG TUBE	4
2	CBFD042-45ST-2	SIDE SUPPORT TUBE	4
3	CB042-45ST-3	ROD	4
4	CB042-45ST-4	BASE STRAP	2
5	CB042-45ST-5	STAND BASE STRAP	2
6	CBFD042-45ST-6	TANK SUPPORT STRAP	4
7	12686	1-1/2" PIPE PLUG	4
8	CB042-45ST-8	SIDE SUPPORT TUBE	4
9	RAR-12	ROLLED ANGLE, 12" PLAIN	1



REV	DESCRIPTION	BY / DATE	CCN	DRAWN / DATE ADH 9/27/10	MATERIAL
				APPRD. / DATE DHJ 9/28/10	
ALL DIMENSIONS ARE IN DECIMAL INCHES TOLERANCES UNLESS OTHERWISE SPECIFIED				SHOT WEIGHT: 82.00 LBS	NOTES:
POLYETHYLENE ±1% @ 68°F		METAL DECIMAL ± .125" FRACTION ± 1/4" ANGLE ± 1°		SHIPPING WEIGHT: 82.00 LBS	
THIRD ANGLE PROJECTION ANSI 14.5M				FINISH: POWDER COATING, BLACK TILE, 40012	



**Den Hartog**  
INDUSTRIES, INC.

Ace Roto-Mold Injection Molding Blow Molding Sowjoy

4010 HOSPERS DRIVE S. BOX 425, HOSPERS, IOWA 51238-0421

DESCRIPTION	STAND FOR 45°, Ø42.00" FULL DRAIN, CONE BOTTOM TANKS	
SCALE	N.S.	PART NO. CBFD042-45ST