

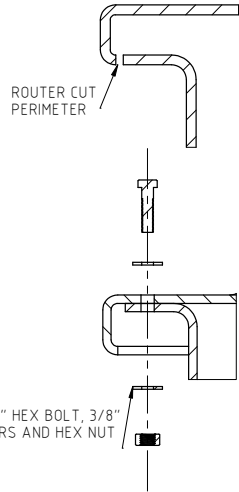


© DEN HARTOG INDUSTRIES, INC.

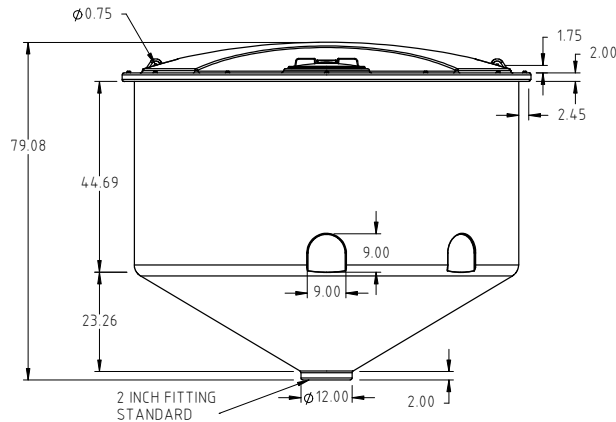
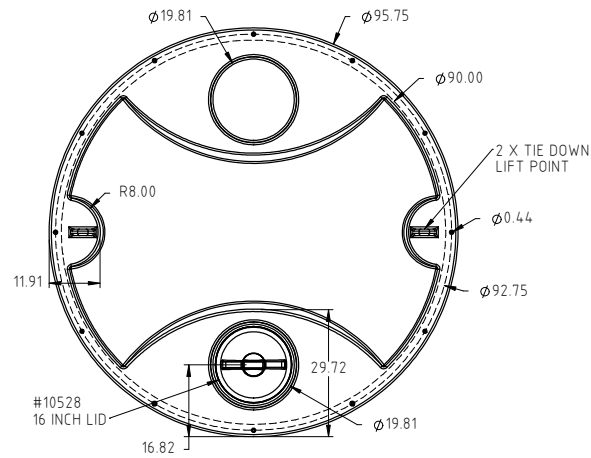
OC1450-90

Copyright: All information furnished within this document, electronic file or design correspondence is the property of Den Hartog Industries, Inc. and shall not be used, disclosed to others or copied without the expressed written consent of Den Hartog Industries, Inc.

LID TRIM AND FASTENING DETAIL



3/8" X 1-1/2" HEX BOLT, 3/8" FLATWASHERS AND HEX NUT 12 PLACES



REV	DESCRIPTION	BY / DATE	CCN	DRAWN / DATE DHJ 2/3/12	MATERIAL 10420	 <b>Den Hartog</b> INDUSTRIES, INC. <small>Auto-Mold-Matrix Injection Molding • Blow Molding • Rotomold</small> 4010 HOSPERS DRIVE S. BOX 425, HOSPERS, IOWA 51238-0425
				APPRD. / DATE REH 7/12/12		
ALL DIMENSIONS ARE IN DECIMAL INCHES TOLERANCES UNLESS OTHERWISE SPECIFIED				SHOT WEIGHT: 284.00 LBS SHIPPING WEIGHT: 286.00 LBS FINISH:	NOTES: 1.) 0.326" THICK	DESCRIPTION 1450 GALLON OPEN CONE WITH BOLT ON TOP
POLYETHYLENE $\pm 1\%$ @ 68°F		THIRD ANGLE PROJECTION ANSI 14.5M 				SCALE N.S.
METAL DECIMAL $\pm .125$ " FRACTION $\pm 1/4$ " ANGLE $\pm 1^\circ$						PART NO. OC1450-90