

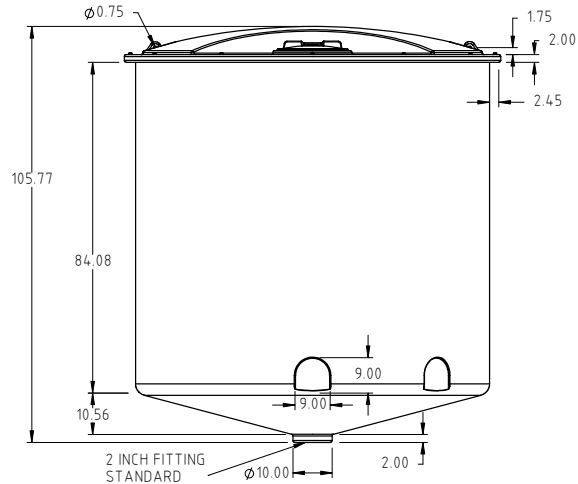
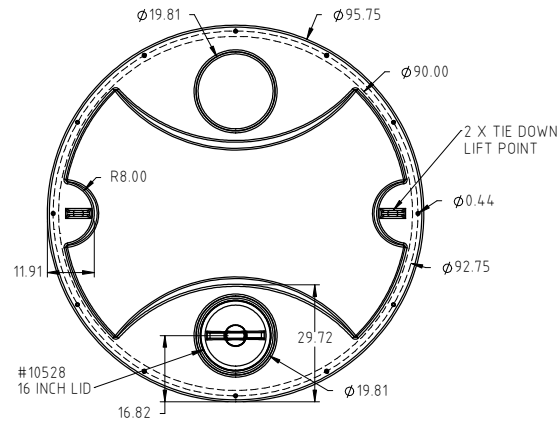
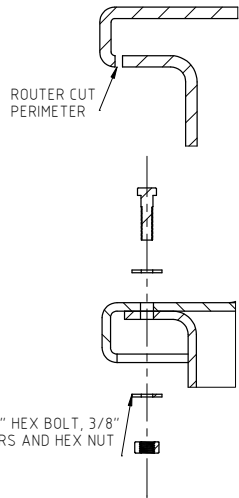


© DEN HARTOG INDUSTRIES, INC.

Copyright. All information furnished within this document, electronic file or design correspondence is the property of Den Hartog Industries, Inc. and shall not be used, disclosed to others or copied without the expressed written consent of Den Hartog Industries, Inc.

OC2350-90

LID TRIM AND FASTENING DETAIL



REV		DESCRIPTION		BY / DATE	CCN	DRAWN / DATE DHJ 2/3/12	MATERIAL 10420	 Den Hartog INDUSTRIES, INC. <small>Also Manufactures Injection Molding Blow Molding Rotomold</small> 4010 HOSPERS DRIVE S. BOX 425, HOSPERS, IOWA 51238-0425
APPRO. / DATE REH 7/12/12		ALL DIMENSIONS ARE IN DECIMAL INCHES TOLERANCES UNLESS OTHERWISE SPECIFIED		THIRD ANGLE PROJECTION ANSI 14.5M	SHOT WEIGHT: 435.00 LBS	NOTES: 1.) 0.380" THICK	DESCRIPTION 2350 GALLON OPEN CONE WITH BOLT ON TOP	
POLYETHYLENE ±1% @ 68°F		METAL DECIMAL ± .125" FRACTION ± 1/4" ANGLE ± 1°		SHIPPING WEIGHT: 437.00 LBS		FINISH:	SCALE N.S.	PART NO. OC2350-90