

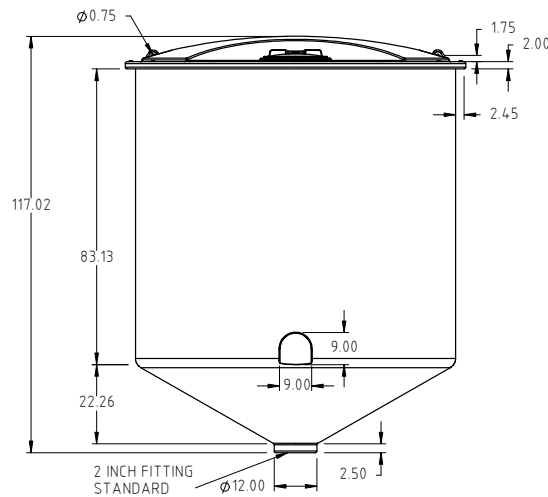
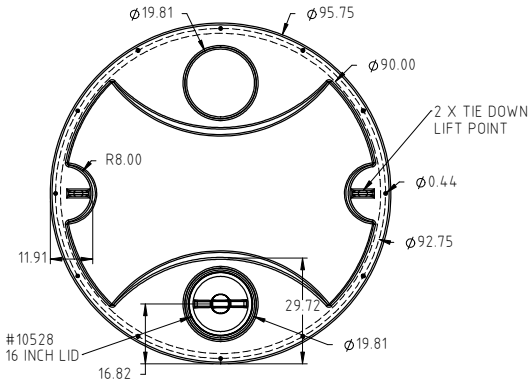
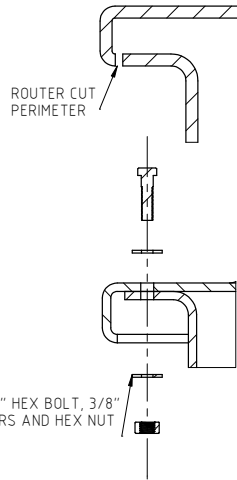


OC2440-90

© DEN HARTOG INDUSTRIES, INC.

Copyright: All information furnished within this document, electronic file or design correspondence is the property of Den Hartog Industries, Inc. and shall not be used, disclosed to others or copied without the expressed written consent of Den Hartog Industries, Inc.

LID TRIM AND FASTENING DETAIL



				DRAWN / DATE DHJ 2/3/12	MATERIAL 10420	 Den Hartog INDUSTRIES, INC. <small>Auto Melt-Mold Injection Molding Blow Molding Blending</small> 4010 HOSPERS DRIVE S. BOX 425, HOSPERS, IOWA 51238-0425
				APPRO. / DATE REH 7/12/12		
REV	DESCRIPTION	BY / DATE	CCN	SHOT WEIGHT: 500.00 LBS	NOTES: 1.) 0.400" THICK	DESCRIPTION 2440 GALLON OPEN CONE WITH BOLT ON TOP
ALL DIMENSIONS ARE IN DECIMAL INCHES TOLERANCES UNLESS OTHERWISE SPECIFIED		THIRD ANGLE PROJECTION ANSI 14.5M		SHIPPING WEIGHT: 502.00 LBS		SCALE N.S.
POLYETHYLENE ±1% @ 68°F		MÉTAL DECIMAL ± .125" FRACTION ± 1/4" ANGLE ± 1°		FINISH:		