



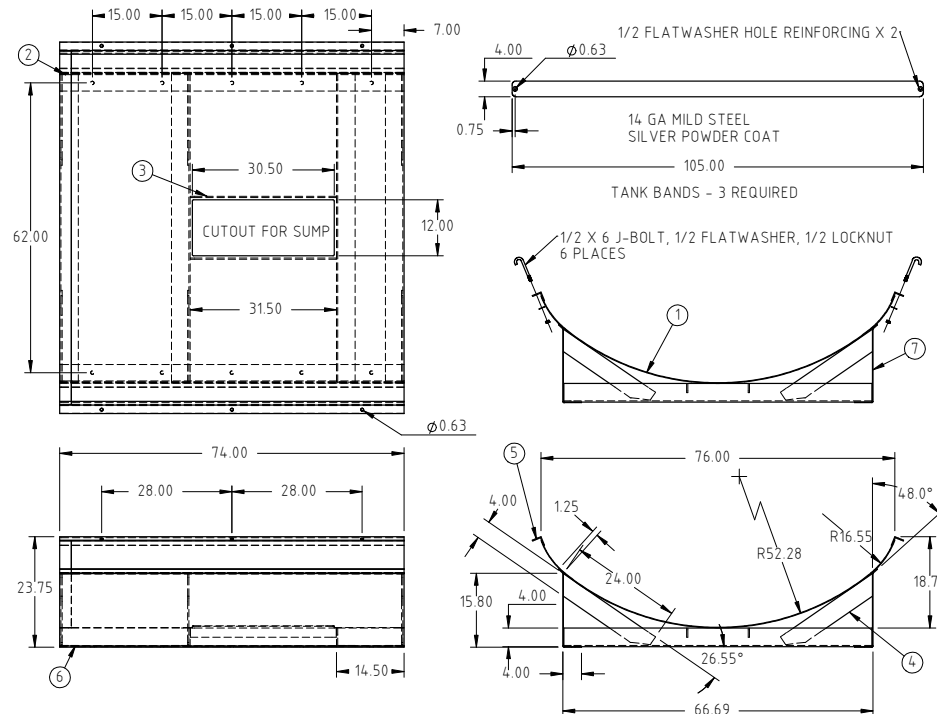
© DEN HARTOG INDUSTRIES, INC.

Copyright: All information furnished within this document, electronic file or design correspondence is the property of Den Hartog Industries, Inc and shall not be used, disclosed to others or copied without the expressed written consent of Den Hartog Industries, Inc.

KEY	PART NUMBER	DESCRIPTION	QTY.
1	HE1000-C-1	PAN	1
2	HE1000-C-2	PAN STRIP	1
3	HE1000-C-3	BASE STRAP	2
4	HE1000-C-4	PAN SUPPORT STRAP	6
5	HE1000-C-5	ANGLE STEEL	2
6	HE1000-C-6	BASE ANGLE STEEL	4
7	SJ17011	SIDE PANEL	2


HE1000-C

G



REV	DESCRIPTION	BY / DATE	CCN
G	DRAWING TABLE LAYOUT/TEMPLATE UPDATED, WEIGHT AND FINISH ADDED.	ADH 7/13/10	2056
F	TOLERANCE WAS 5% @ 68°F	GWC 3/8/07	
E	CHANGE BAND TO MILD	8/9/06	
D	VERIFY DIMENSIONS	1/5/06	
C	ENLARGE SUMP CUTOUT 1X1	9/15/05	
B	LENGTHEN BY 2 IN	5/25/05	
A	ENLARGE SUMP CUTOUT	5/23/05	

DRAWN / DATE ADH 7/24/07	MATERIAL
APPRD. / DATE REH 10/5/07	
THIRD ANGLE PROJECTION ANSI 14.5M	NOTES:



**Den Hartog**  
INDUSTRIES, INC.

Ace Roto-Mold Injection Molding Blow Molding Sowjoy

4010 HOSPERS DRIVE S. BOX 425, HOSPERS, IOWA 51238-0425

DESCRIPTION ACE 1000 GALLON ELLIPTICAL CRADLE	
SCALE N.S.	PART NO. HE1000-C

ALL DIMENSIONS ARE IN DECIMAL INCHES TOLERANCES UNLESS OTHERWISE SPECIFIED	SHOT WEIGHT: 515.00 LBS
POLYETHYLENE ±1% @ 68°F	SHIPPING WEIGHT: FINISH: POWDER COATING, BLACK TILE, 4.0012
METAL DECIMAL ± .125" FRACTION ± 1/4" ANGLE ± 1°	