



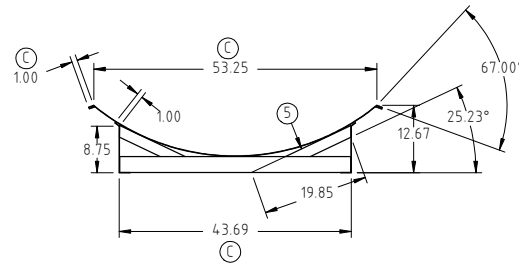
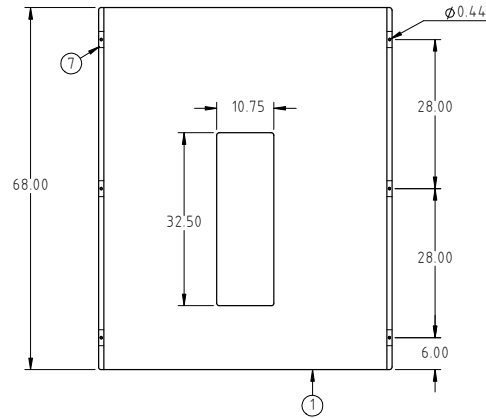
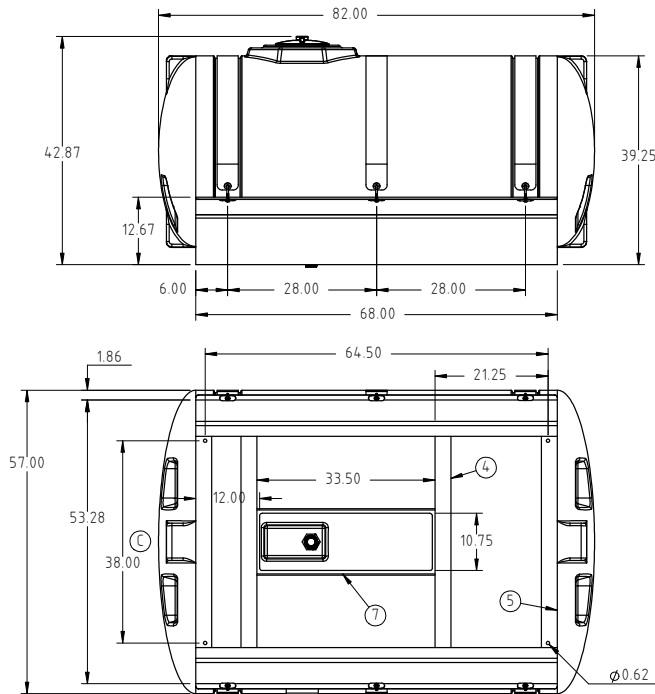
© DEN HARTOG INDUSTRIES, INC.

Copyright: All information furnished within this document, electronic file or design correspondence is the property of Den Hartog Industries, Inc. and shall not be used, disclosed to others or copied without the expressed written consent of Den Hartog Industries, Inc.

KEY	PART NUMBER	DESCRIPTION	QTY.
1	HE0500-C-1	PAN	1
2	HE0500-C-2	SIDE PANEL	2
3	HE0500-C-3	BASE ANGLE	2
4	HE0500-C-4	BASE ANGLE (HOLES)	2
5	HE0400-C-4	SUPPORT STRAP	4
6	HE0500-C-6	BASE FLAT BAR	2
7	SJHZ0232C-4	STRAP SUPPORT, CRADLES	6

HE0500-C

D



D	HE0400-C-4 WAS HE0500-C-5, DRAWING TEMPLATE/TABLE UPDATED	ADH 10/27/11	2319
C	DIMENSIONS UPDATED	ADH 2/11/08	1591
B	REMOVE TOLERANCE	GWC 3/14/07	
A	ENLARGE SUMP CUTOUT	9/15/05	
REV	DESCRIPTION	BY / DATE	CCN

ADH 7/23/07	MATERIAL
APPRD. / DATE	
REH 10/5/07	
THIRD ANGLE PROJECTION ANSI 14.5M	NOTES:
SHOT WEIGHT:	
SHIPPING WEIGHT: 202.00 LBS	
FINISH: POWDER COATING, BLACK TILE, 40012	



Den Hartog
INDUSTRIES, INC.

Ace Roto-Mold Injection Molding Blow Molding Sowjoy
4010 HOSPERS DRIVE S. BOX 425, HOSPERS, IOWA 51238-0421

DESCRIPTION	
ACE 500 GALLON ELLIPTICAL TANK AND CRADLE ASSEMBLY	
SCALE	PART NO.
N.S.	HE0500-C