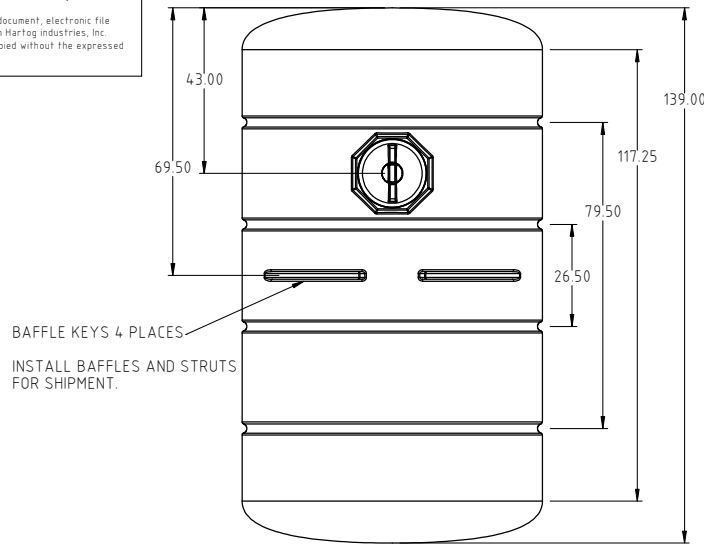




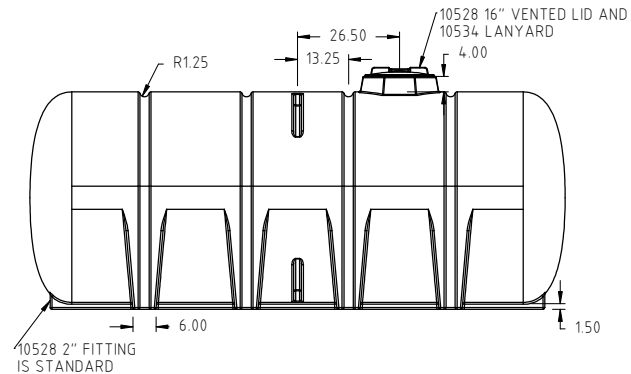
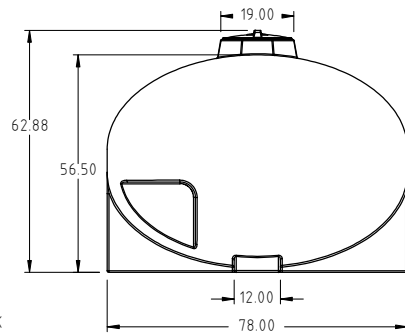
FS1850-78

© DEN HARTOG INDUSTRIES, INC.

Copyright: All information furnished within this document, electronic file or design correspondence is the property of Den Hartog industries, Inc. and shall not be used, disclosed to others or copied without the expressed written consent of Den Hartog Industries, Inc.



BAFFLE KEYS 4 PLACES
INSTALL BAFFLES AND STRUTS FOR SHIPMENT.



IMPORTANT: HOOPS ARE REQUIRED ON THIS TANK

		DRAWN / DATE ADH 12/17/11		MATERIAL 10538	<p>BARR Plastics Inc. 1.800.665.4499 www.barrplastics.com</p>
		APPRD. / DATE REH 2/21/12			
REV	DESCRIPTION	BY / DATE	CCN		
ALL DIMENSIONS ARE IN DECIMAL INCHES TOLERANCES UNLESS OTHERWISE SPECIFIED		THIRD ANGLE PROJECTION ANSI 14.5M		SHOT WEIGHT: 525 LB.	NOTES: 1.) NOM. WALL @ .375 2.) WHITE OR YELLOW COLOR
POLYETHYLENE		METAL DECIMAL ± .125" FRACTION ± 1/4" ANGLE ± 1°		SHIPPING WEIGHT: 571 LB.	
±1% @ 68°F				FINISH:	
DESCRIPTION			1850 GALLON LEG TANK W/O SUMP		
SCALE			N.S.		
PART NO.			FS1850-78		