

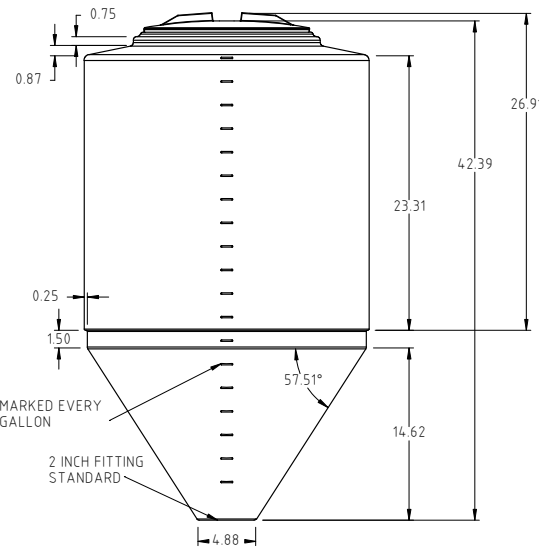
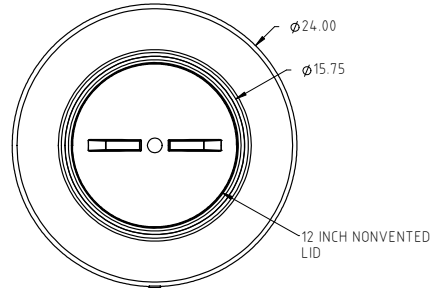


© DEN HARTOG INDUSTRIES, INC.

Copyright. All information furnished within this document, electronic file or design correspondence is the property of Den Hartog industries, Inc. and shall not be used, disclosed to others or copied without the expressed written consent of Den Hartog Industries, Inc.

IN0055-24

B



				DRAWN / DATE DHJ 4/19/05	MATERIAL HDPE OR EQUIVALENT REFERENCE MATERIAL DATA SHEET FOR SPECIFIC PROPERTIES	 <b>Den Hartog</b> INDUSTRIES, INC. Ace Roto-Mold Injection Molding Blow Molding Sowjoy 4010 HOSPERS DRIVE S. BOX 425, HOSPERS, IOWA 51238-0425
B	55 WAS 60	ADH 12/11/13	2755	APPRD. / DATE ADH 11/14/07	NOTES: 1.) 0.22 NOM. WALL	
A	NEW PRINT FORMAT	NVE 2/7/06				
REV	DESCRIPTION	BY / DATE	CCN			DESCRIPTION 55 GALLON INDUCTOR TANK
ALL DIMENSIONS ARE IN DECIMAL INCHES TOLERANCES UNLESS OTHERWISE SPECIFIED		THIRD ANGLE PROJECTION ANSI 14.3M		SHOT WEIGHT: 22.00 LBS		SCALE N.S.
POLYETHYLENE ±1% @ 68°F		METAL DECIMAL ± .125" FRACTION ± 1/4" ANGLE ± 1°		SHIPPING WEIGHT:		PART NO. IN0055-24