



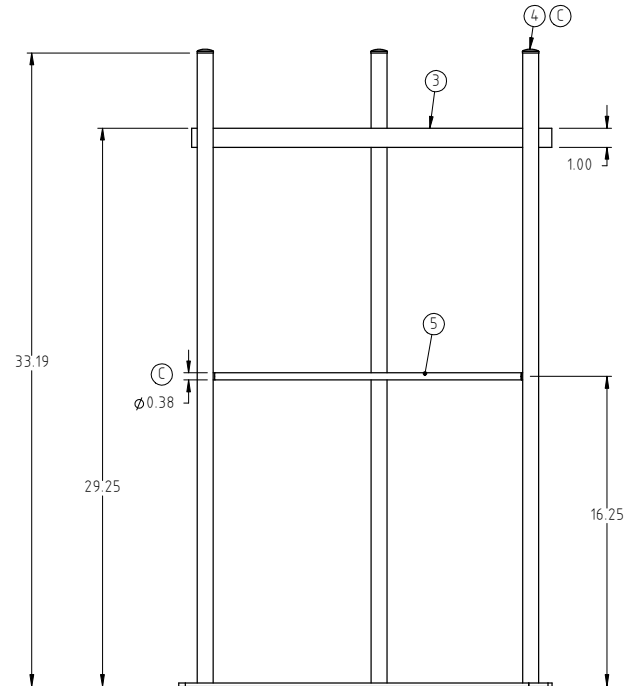
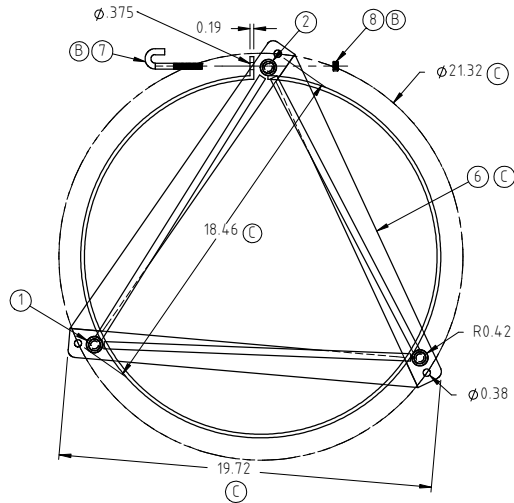
© DEN HARTOG INDUSTRIES, INC.

Copyright: All information furnished within this document, electronic file or design correspondence is the property of Den Hartog Industries, Inc. and shall not be used, disclosed to others or copied without the expressed written consent of Den Hartog Industries, Inc.

KEY	PART NUMBER	DESCRIPTION	QTY.
1	IN30-60-ST-1	LEG PIPE	2
2	IN30-60-ST-2	LEG PIPE W/ HOLE	1
3	IN15-ST-3	RING	1
4	12582	1/2" PIPE PLUG	3
5	IN15-ST-5	SIDE ROD	3
6	12080	BASE STRAP	3
7	J.313X3.00	J-BOLT, 5/16" X 3"	1
8	10280	NUT, 5/16" NYLOK ZINC	1

INFD15-ST

D



D	IN30-60-ST-1 AND IN30-60-ST-2 WERE INFD15-ST-1 AND INFD15-ST-2. DRAWING TEMPLATE/TABLE UPDATED	ADH 10/13/11	2300
C	DIMENSIONS, BASE STRAPS AND LEG PLUGS UPDATED	ADH 10/10/08	1729
B	PARTS 7, 8 AND FINISH NOTE ADDED. WEIGHT UPDATED	ADH 3/20/08	1626
A	PART/DIMENSIONS UPDATED	ADH 10/4/07	1477
REV	DESCRIPTION	BY / DATE	CCN CCN
ALL DIMENSIONS ARE IN DECIMAL INCHES TOLERANCES UNLESS OTHERWISE SPECIFIED		THIRD ANGLE PROJECTION ANSI 14.5M	SHOT WEIGHT:
POLYETHYLENE ±1% @ 68°F	METAL DECIMAL ± .125" FRACTION ± 1/4" ANGLE ± 1°		SHIPPING WEIGHT: 15.50 LBS
			FINISH: POWDER COATING, BLACK TILE, 4001Z

DRAWN / DATE	MATERIAL
ADH 12/11/07	
APPRD. / DATE	NOTES:
REH 12/14/07	



Den Hartog
INDUSTRIES, INC.

Ace Roto-Mold Injection Molding Blow Molding Sowjoy

4010 HOSPERS DRIVE S. BOX 425, HOSPERS, IOWA 51238-0425

DESCRIPTION	INDUCTOR STAND FOR 15 GALLON FULL DRAIN TANKS	
SCALE	N.S.	PART NO. INFD15-ST