



E 305 LP

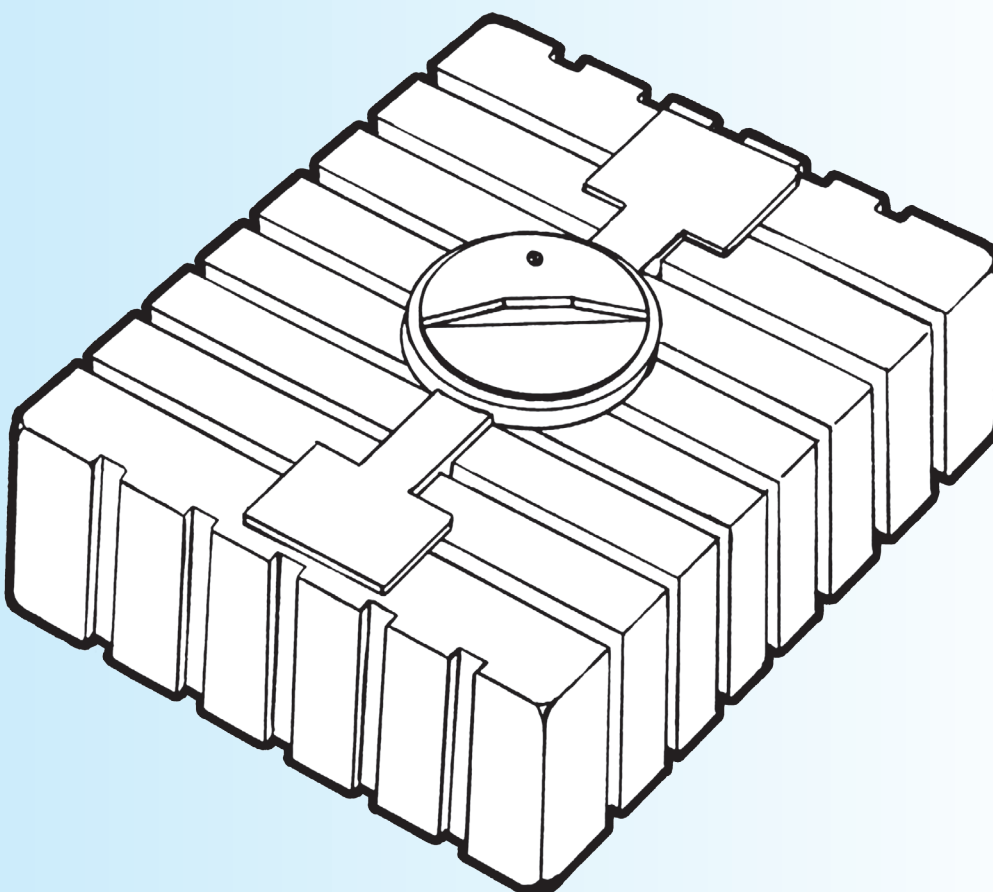


- Fitting Options (specify at time of order placement):
- Bulkhead fittings in sizes from ½" NPT to 3" NPT
 - Flanged Fittings, ABS or PVC, in sizes from 1-¼" to 4"
 - Rubber grommets in 3" & 4" sizes

Flat Bottom tanks are easy to clean and maintain as they have no ribs to entrap water, silt or debris. The low height of the tank allows for greater headroom between the tank top and the floor joists giving you more clearance to make the plumbing hookups or to access the tank interior for maintenance.

Polyethylene Low Profile Flat Bottom Tanks

E305 LP



| Model | Capacity ImpGal/Ltr | Length In./mm | Width In./mm | Height In./mm |
|-----------------|------------------------|------------------|-----------------|------------------|
| E 305 LP | 305 (1385) | 73 (1854) | 59 (1499) | 25 (635) |

This document contains proprietary information. It is intended solely for the information and use of potential clients involved or to be involved in a transaction with BARR Plastics. Such proprietary information may not be used, reproduced, or disclosed to any other parties for any other purpose without the expressed written permission.