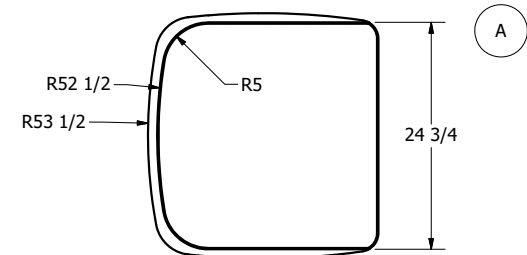
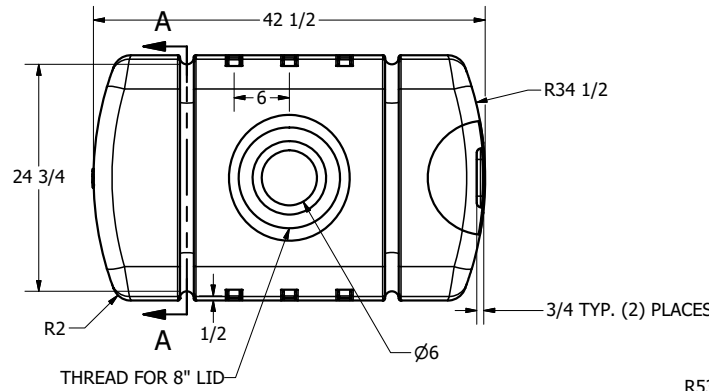
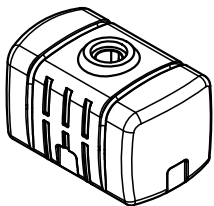
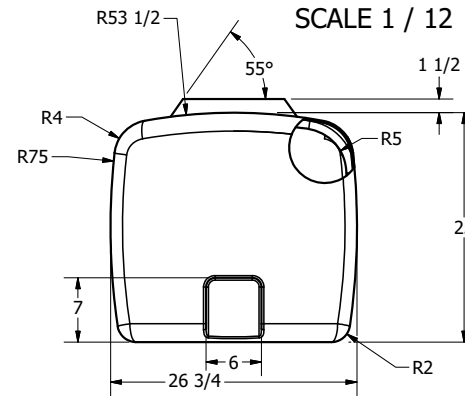
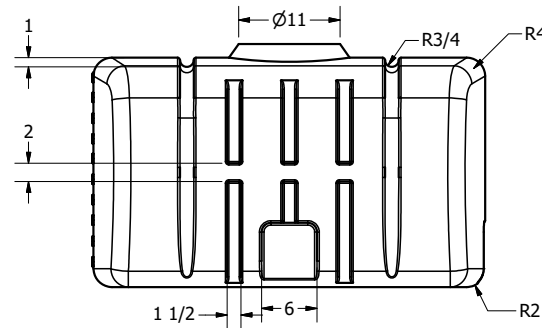
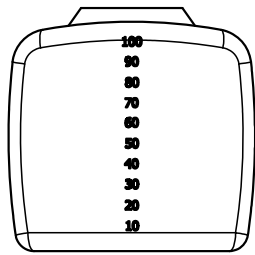




REVISION HISTORY			
REV	DATE	AUTH	DESCRIPTION
A	2/7/2007	JTP	VIEW ADDED



SECTION A-A  
SCALE 1 / 12



DRAWN Jerry Paulson	7/19/2006		
CHECKED		NORWESCO, INC., ST. BONIFACIUS, MN	
QA		TITLE	
MFG		100 GALLON FLAT BOTTOM UTILITY TANK	
APPROVED		SIZE B	DWG NO
		SCALE: 1/12	REV
		SHEET 1 OF 1	