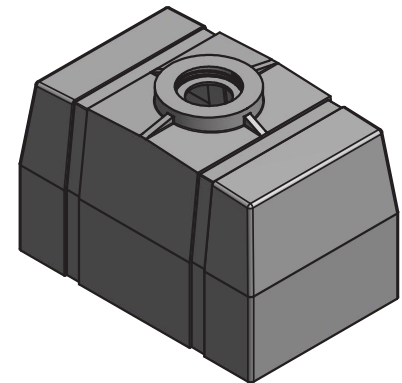


SECTION A-A



DRAWN Liv Oltean	7/10/2014	<b>NORWESCO</b>	
CHECKED		NORWESCO, INC. SAINT BONIFACIUS, MN	
QA		TITLE	
MFG		<b>100 GALLON LOAF TANK</b>	
APPROVED		SIZE	DWG NO
		<b>B</b>	
		SCALE: 1/16	REV A
			SHEET 1 OF 1