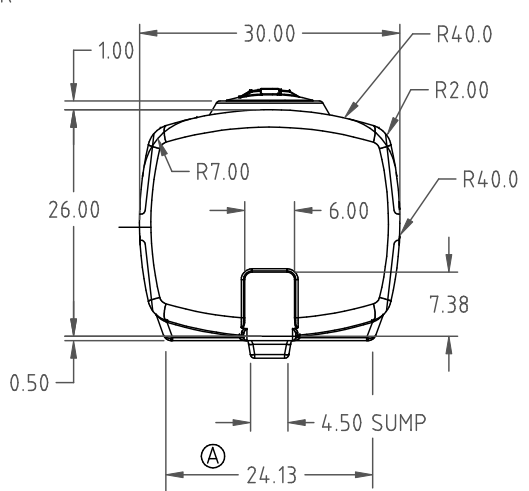
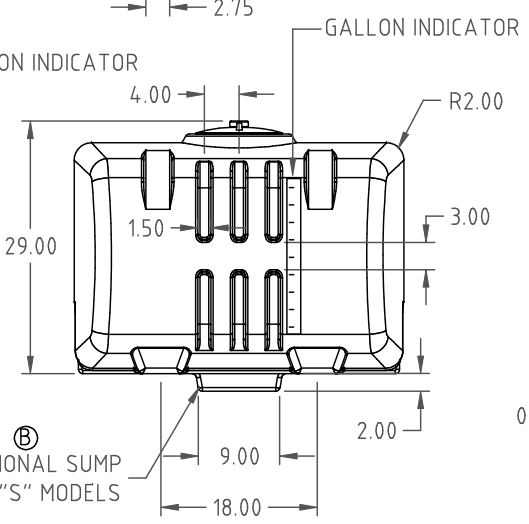
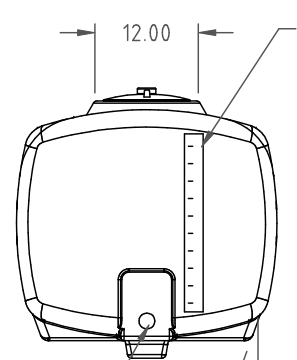
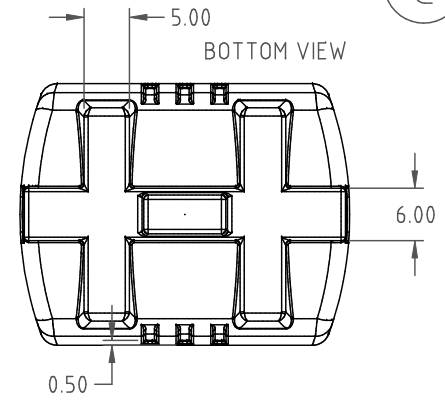
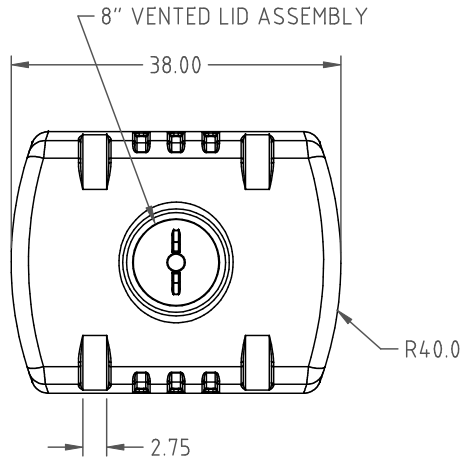




© DEN HARTOG INDUSTRIES, INC.

Copyright. All information furnished within this document, electronic file or design correspondence is the property of Den Hartog Industries, Inc. and shall not be used, disclosed to others or copied without the expressed written consent of Den Hartog Industries, Inc.

PC0100-30



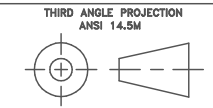
STANDARD FITTING IS 1" STANDARD LOCATION END
TANK WITH SUMP STANDARD LOCATION IS IN SUMP

OPTIONAL SUMP ON "S" MODELS

| | | | | | |
|-----|---------------------------|----------|---------------|--------------|------------------|
| C | 24.13 WAS 23.75 | CCN1805 | REH 2/18/09 | DRAWN / DATE | MATERIAL |
| B | "S" MODEL WAS "M" | CCN 1533 | ADH 11/29/07 | REH / 5/8/02 | |
| A | CLARIFY FITTING LOCATIONS | 2/17/06 | APPRD. / DATE | DHJ / 5/8/02 | |
| REV | DESCRIPTION | DATE | APPRD | | 50 LB. MOBIL 134 |

ACE ROTO-MOLD
A DIVISION OF DEN HARTOG INDUSTRIES, INC.
4010 HOSPERS DRIVE SOUTH, BOX 425, HOSPERS, IOWA 51238

ALL DIMENSIONS ARE IN DECIMAL INCHES
TOLERANCES UNLESS OTHERWISE SPECIFIED
± 1% @ 68° F



NOTES:
1. NATURAL COLOR
2. NOM. WALL .260

CLIENT / DESCRIPTION
100 GALLON PCO TANK

| | | | |
|-------|------|----------|--|
| SCALE | N.S. | PART NO. | PC0100-30S (WITH SUMP) PC0100-30W (NO SUMP) |
|-------|------|----------|--|