

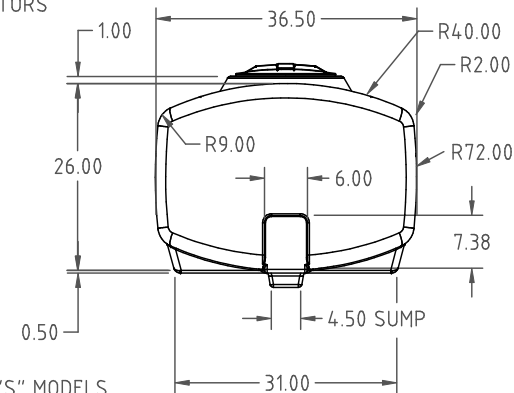
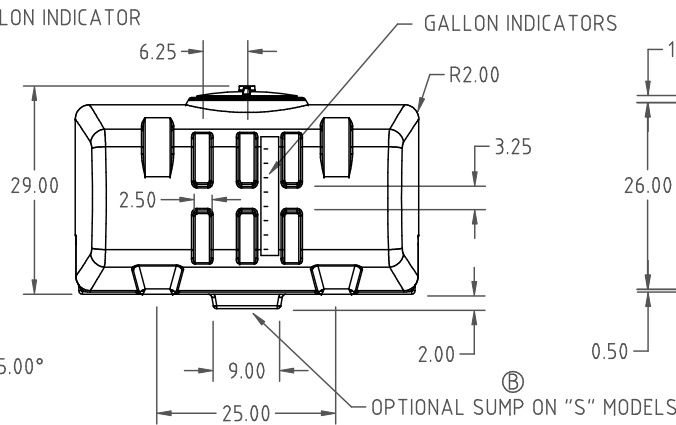
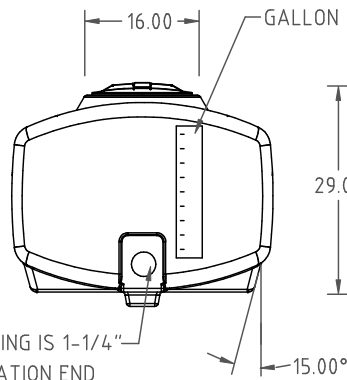
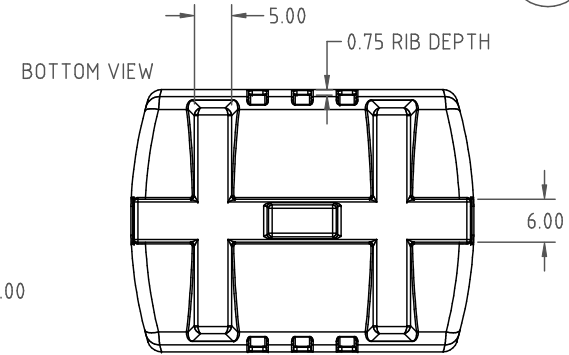
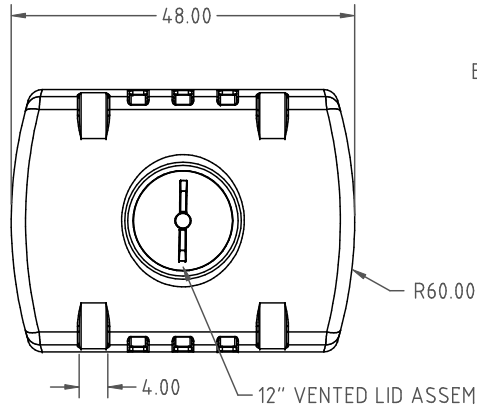


PROPRIETARY DATA

PROPERTY OF ACE ROTO-MOLD MFG., INC. INFORMATION FURNISHED HEREIN IS THE PROPERTY OF ACE ROTO-MOLD MFG., INC. AND SHALL NOT BE USED, DISCLOSED TO OTHERS, OR COPIED WITHOUT THE EXPRESSED WRITTEN CONSENT OF ACE ROTO-MOLD MFG., INC. ALL RIGHTS RESERVED.

PC0150-37

B



STANDARD FITTING IS 1-1/4"  
STANDARD LOCATION END  
TANK WITH SUMP STANDARD  
LOCATION IS IN SUMP

DRAWN / DATE REH / 2/20/03				MATERIAL 61 LB. MOBIL 134		DEN HARTOG INDUSTRIES INC. 4010 HOSPERS DRIVE SOUTH, BOX 425, HOSPERS, IOWA 51238	
APPRD. / DATE DHJ / 2/20/03							
B	"S" MODEL WAS "M" CCN 1533	ADH	11/29/07	CLIENT / DESCRIPTION 150 GALLON PCO TANK			
A	CLARIFY FITTING LOCATIONS	2/17/06		SCALE N.S.			
REV	DESCRIPTION	DATE	APPRD	NOTES: 1. NATURAL COLOR 2. NOM. WALL .240		PART NO. PC0150-37S (SUMP) PC0150-37W (NO SUMP)	
ALL DIMENSIONS ARE IN DECIMAL INCHES TOLERANCES UNLESS OTHERWISE SPECIFIED ± .5% @ 68° F				THIRD ANGLE PROJECTION ANSI 14.5M 			