

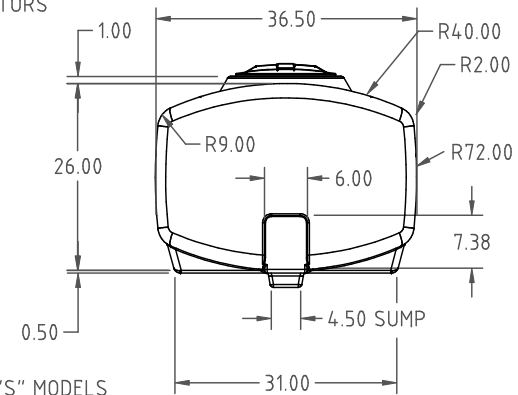
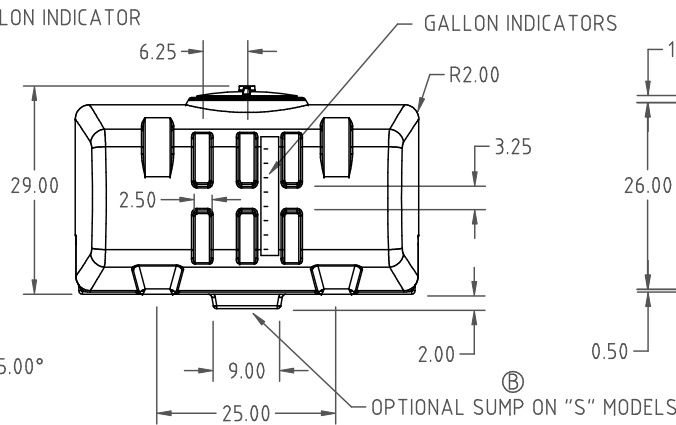
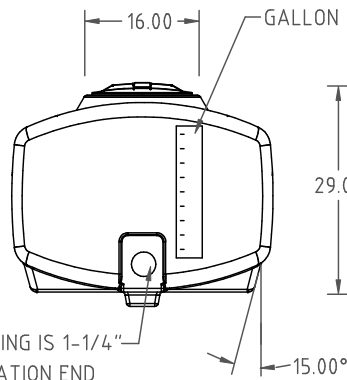
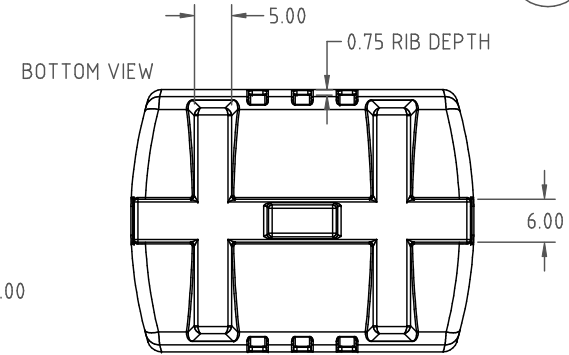
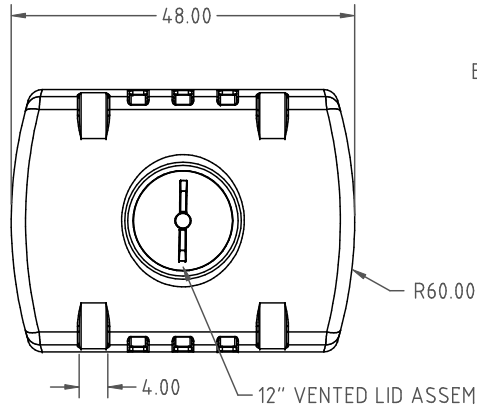


PROPRIETARY DATA

PROPERTY OF ACE ROTO-MOLD MFG., INC. INFORMATION FURNISHED HEREIN IS THE PROPERTY OF ACE ROTO-MOLD MFG., INC. AND SHALL NOT BE USED, DISCLOSED TO OTHERS, OR COPIED WITHOUT THE EXPRESSED WRITTEN CONSENT OF ACE ROTO-MOLD MFG., INC. ALL RIGHTS RESERVED.

PC0150-37

B



STANDARD FITTING IS 1-1/4"  
STANDARD LOCATION END

TANK WITH SUMP STANDARD  
LOCATION IS IN SUMP

<table border="1"> <tr> <td>B</td> <td>"S" MODEL WAS "M" CCN 1533</td> <td>ADH 11/29/07</td> <td>DRAWN / DATE REH / 2/20/03</td> </tr> <tr> <td>A</td> <td>CLARIFY FITTING LOCATIONS</td> <td>2/17/06</td> <td>APPRD. / DATE DHJ / 2/20/03</td> </tr> <tr> <td>REV</td> <td>DESCRIPTION</td> <td>DATE</td> <td>APPRD</td> </tr> </table>				B	"S" MODEL WAS "M" CCN 1533	ADH 11/29/07	DRAWN / DATE REH / 2/20/03	A	CLARIFY FITTING LOCATIONS	2/17/06	APPRD. / DATE DHJ / 2/20/03	REV	DESCRIPTION	DATE	APPRD	<p>MATERIAL</p> <p>61 LB. MOBIL 134</p>		<p><b>DEN HARTOG INDUSTRIES INC.</b> 4010 HOSPERS DRIVE SOUTH, BOX 425, HOSPERS, IOWA 51238</p>	
B	"S" MODEL WAS "M" CCN 1533	ADH 11/29/07	DRAWN / DATE REH / 2/20/03																
A	CLARIFY FITTING LOCATIONS	2/17/06	APPRD. / DATE DHJ / 2/20/03																
REV	DESCRIPTION	DATE	APPRD																
<p>ALL DIMENSIONS ARE IN DECIMAL INCHES TOLERANCES UNLESS OTHERWISE SPECIFIED ± .5% @ 68° F</p>				<p>THIRD ANGLE PROJECTION ANSI 14.5M</p>		<p>CLIENT / DESCRIPTION</p> <p>150 GALLON PCO TANK</p>													
<p>NOTES: 1. NATURAL COLOR 2. NOM. WALL .240</p>				<p>SCALE</p> <p>N.S.</p>		<p>PART NO. PC0150-37S (SUMP) PC0150-37W (NO SUMP)</p>													