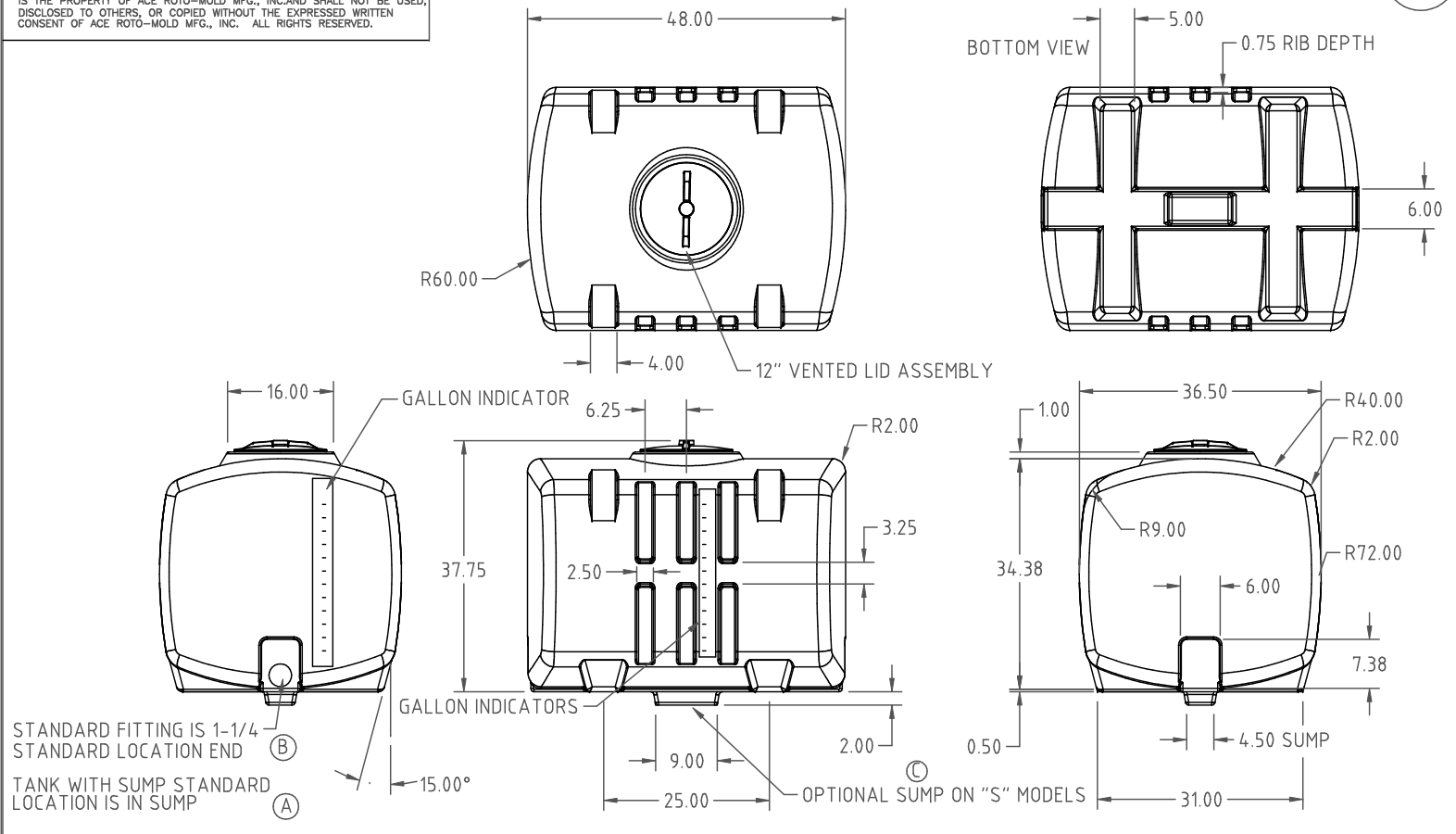




PROPRIETARY DATA

PROPERTY OF ACE ROTO-MOLD MFG., INC. INFORMATION FURNISHED HEREIN IS THE PROPERTY OF ACE ROTO-MOLD MFG., INC. AND SHALL NOT BE USED, DISCLOSED TO OTHERS, OR COPIED WITHOUT THE EXPRESSED WRITTEN CONSENT OF ACE ROTO-MOLD MFG., INC. ALL RIGHTS RESERVED.

PCO200-37



STANDARD FITTING IS 1-1/4" STANDARD LOCATION END (B)
TANK WITH SUMP STANDARD LOCATION IS IN SUMP (A)

C	"S" MODEL WAS "M" CCN 1533	ADH 11/29/07	DRAWN / DATE	REH / 5/8/02	MATERIAL	DEN HARTOG INDUSTRIES INC. 4010 HOSPERS DRIVE SOUTH, BOX 425, HOSPERS, IOWA 51238
B	CORRECT FITTING TO 1 1/4"	2/6/07	APPRD. / DATE	DHJ / 5/8/02	82 LB. MOBIL 134	
A	CLARIFY FITTING LOCATION	2/17/06				CLIENT / DESCRIPTION
REV	DESCRIPTION	DATE	APPRD			200 GALLON PCO TANK
ALL DIMENSIONS ARE IN DECIMAL INCHES TOLERANCES UNLESS OTHERWISE SPECIFIED ± .5% @ 68° F			THIRD ANGLE PROJECTION ANSI 14.5M 		NOTES: 1. NATURAL COLOR 2. NOM. WALL .270	
SCALE		N.S.		PART NO.		PCO200-37S (SUMP) PCO200-37W (NO SUMP)