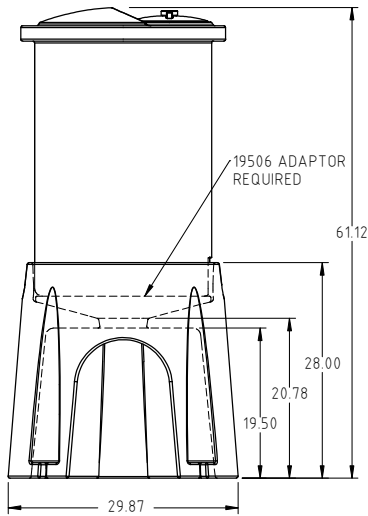




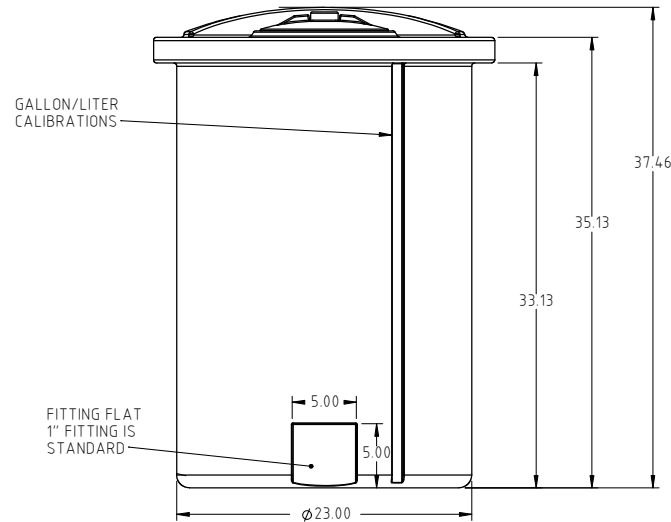
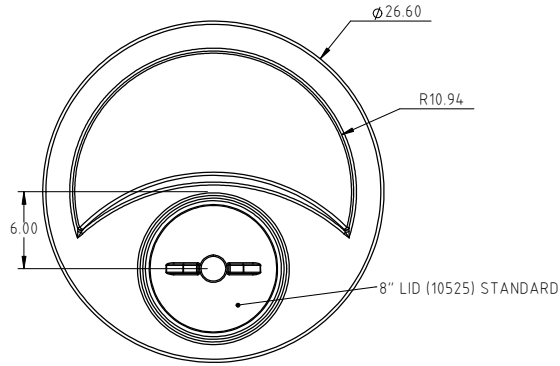
VT0055-23

© DEN HARTOG INDUSTRIES, INC.

Copyright: All information furnished within this document, electronic file or design correspondence is the property of Den Hartog industries, Inc. and shall not be used, disclosed to others or copied without the expressed written consent of Den Hartog Industries, Inc.



OP023-STP POLY STAND



REV		DESCRIPTION	BY / DATE	CCN	DRAWN / DATE ADH 7/12/10	MATERIAL 104.20	 <b>Den Hartog</b> INDUSTRIES, INC. <small>Acc Roto-Mold Injection Molding Blow Molding Sowjay</small> 4010 HOSPERS DRIVE S. BOX 425, HOSPERS, IOWA 51238-0425	
					APPRD. / DATE REH 4/18/11			
ALL DIMENSIONS ARE IN DECIMAL INCHES TOLERANCES UNLESS OTHERWISE SPECIFIED POLYETHYLENE $\pm 1\%$ @ 68°F			THIRD ANGLE PROJECTION ANSI 14.5M 		SHOT WEIGHT: 24.00 LBS SHIPPING WEIGHT: 26.00 LBS FINISH:	NOTES: 1.) 0.19 WALL THICKNESS	DESCRIPTION 23" DIA. X 55 GALLON VERTICAL TANK	
		METAL DECIMAL $\pm .125"$ FRACTION $\pm 1/4"$ ANGLE $\pm 1^\circ$					SCALE N.S.	PART NO. VT0055-23