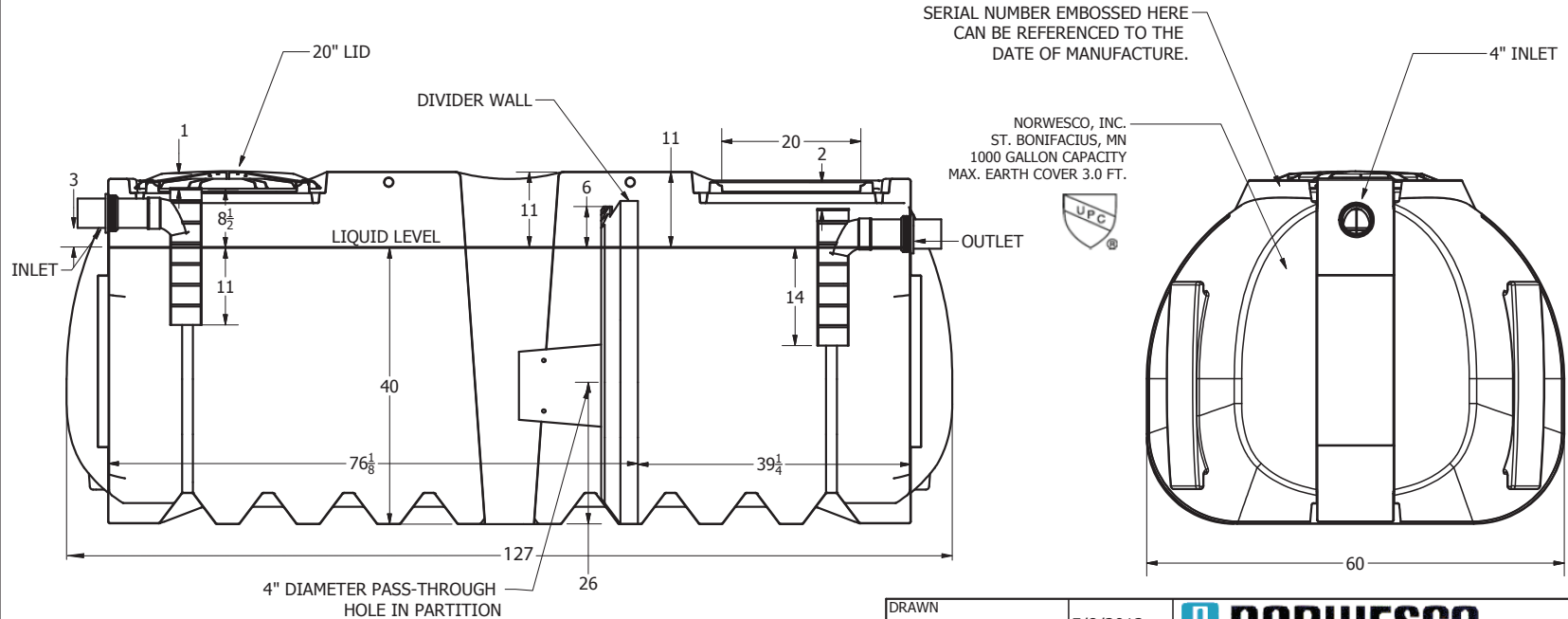




MATERIAL: HIGH-DENSITY POLYETHYLENE  
 WALL THICKNESS: TANK WALL - .250"  
 DIVIDER WALL - .19"

REVISION HISTORY				
ZONE	REV	DESCRIPTION	DATE	APPROVED



OPERATING VOLUME: PRIMARY COMPARTMENT: 662 GALLONS  
 OPERATING VOLUME: SECONDARY COMPARTMENT: 338 GALLONS

DRAWN Todd Bolzer	5/8/2012	<b>NORWESCO</b> NORWESCO, INC., ST. BONIFACIUS, MN	
CHECKED		TITLE	
QA		1000 GALLON LOW PROFILE SEPTIC TANK - IAPMO	
MFG			
APPROVED		SIZE B	DWG NO 1000 Gallon IAPMO
		SCALE: 1/16	REV 
			SHEET 1 OF 1