

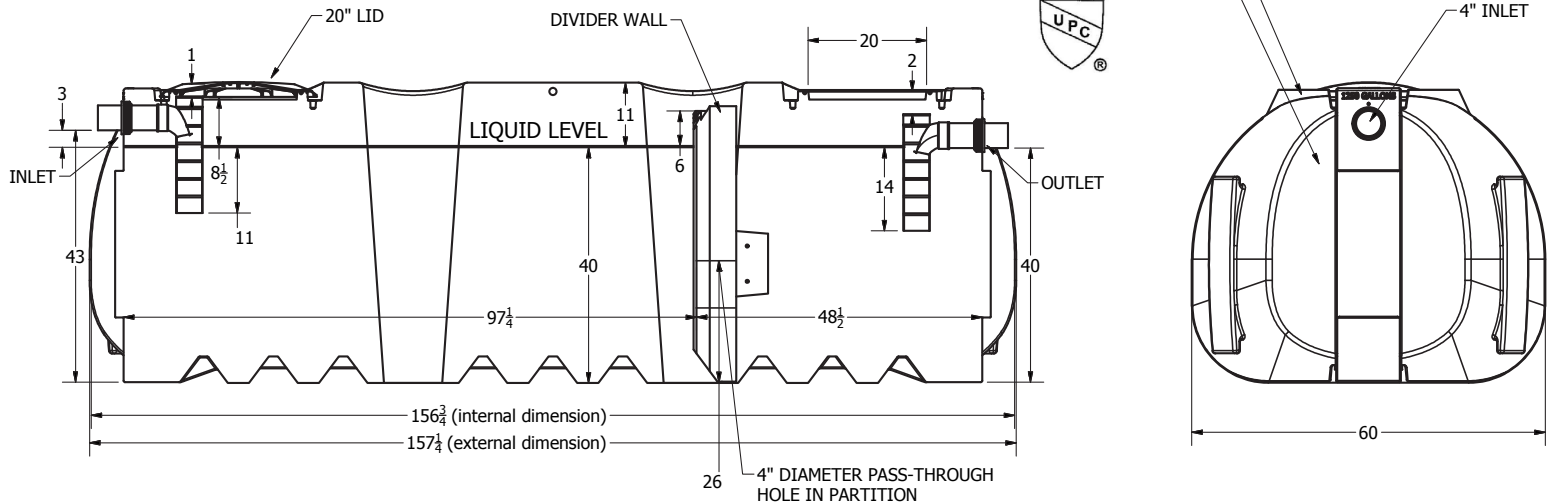


MATERIAL: HIGH-DENSITY POLYETHYLENE
 WALL THICKNESS: TANK WALL - .250"
 DIVIDER WALL - .19"

REVISION HISTORY				
ZONE	REV	DESCRIPTION	DATE	APPROVED

SERIAL NUMBER EMBOSSED HERE
 CAN BE REFERENCED TO THE
 DATE OF MANUFACTURE

NORWESCO, INC.
 ST. BONIFACIUS, MN
 1250 GALLON CAPACITY
 MAX. EARTH COVER 3.0 FT.



OPERATING VOLUME: PRIMARY COMPARTMENT: 844 GALLONS
 OPERATING VOLUME: SECONDARY COMPARTMENT: 419 GALLONS

DRAWN Todd Bolzer	5/8/2012		NORWESCO, INC., ST. BONIFACIUS, MN	
CHECKED			TITLE	
QA		1250 GALLON LOW PROFILE SEPTIC TANK - IAPMO		
MFG		SIZE B	DWG NO	REV
APPROVED		SCALE: 1/16	SHEET 1 OF 1	