

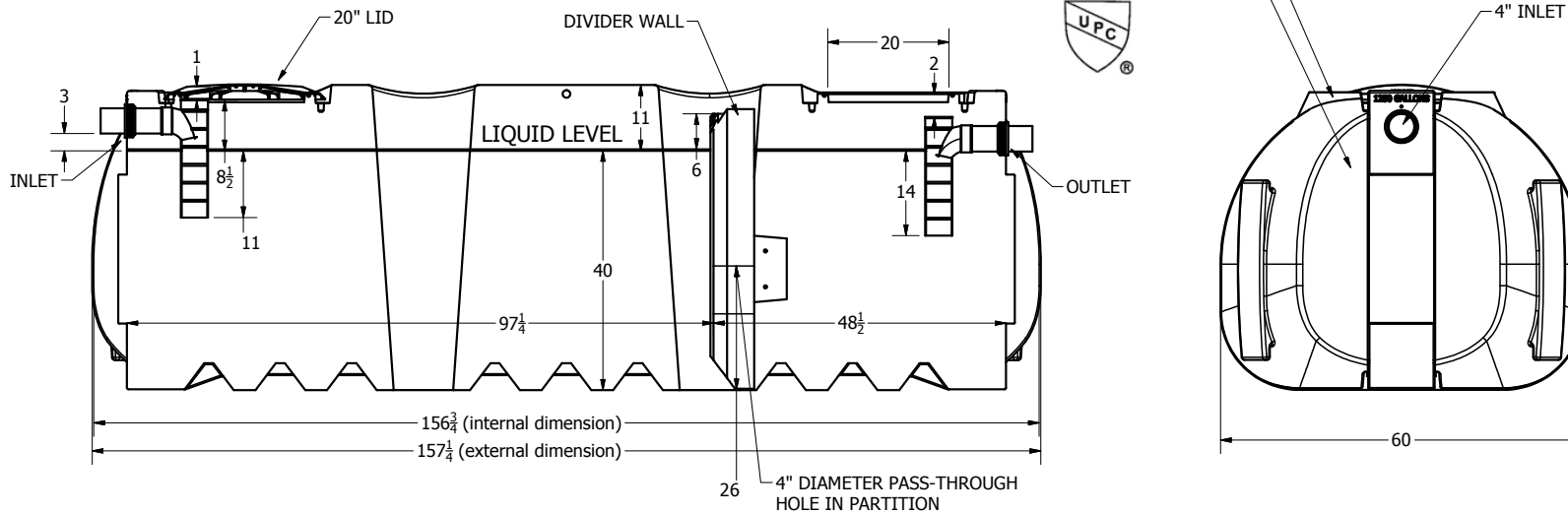


MATERIAL: HIGH-DENSITY POLYETHYLENE
WALL THICKNESS: TANK WALL - .250"
DIVIDER WALL - .19"

ZONE REV		REVISION HISTORY	DATE	APPROVED
		DESCRIPTION		

SERIAL NUMBER EMBOSSED HERE
 CAN BE REFERENCED TO THE
 DATE OF MANUFACTURE

NORWESCO, INC.
 ST. BONIFACIUS, MN
 1250 GALLON CAPACITY
 MAX. EARTH COVER 3.0 FT.



OPERATING VOLUME: PRIMARY COMPARTMENT: 844 GALLONS
 OPERATING VOLUME: SECONDARY COMPARTMENT: 419 GALLONS

DRAWN Todd Bolzer	5/8/2012	NORWESCO	
CHECKED		NORWESCO, INC., ST. BONIFACIUS, MN	
QA		TITLE	
MFG		1250 GALLON LOW PROFILE SEPTIC TANK - IAPMO	
APPROVED		SIZE	DWG NO
		B	1250 x 60 x 157 IAPMO
		SCALE: 1/16	REV
			SHEET 1 OF 1