

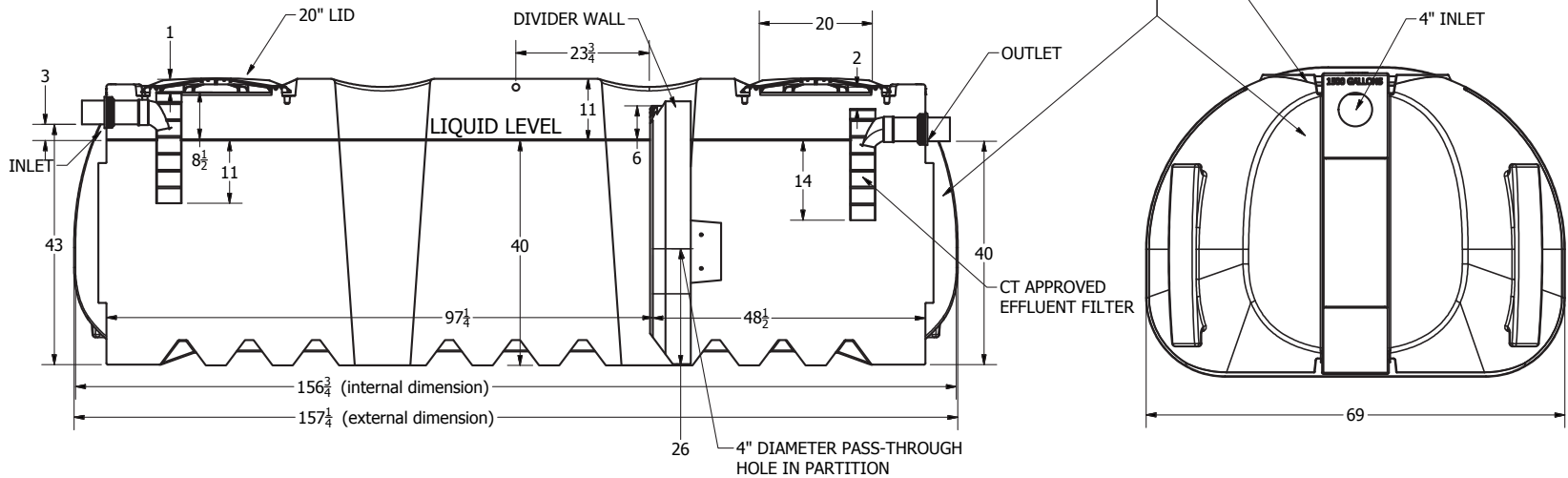


MATERIAL: HIGH-DENSITY POLYETHYLENE
 WALL THICKNESS: TANK WALL - .250"
 DIVIDER WALL - .19"

REVISION HISTORY				
ZONE	REV	DESCRIPTION	DATE	APPROVED

SERIAL NUMBER EMBOSSED HERE
 CAN BE REFERENCED TO THE
 DATE OF MANUFACTURE

NORWESCO, INC.
 ST. BONIFACIUS, MN
 1500 GALLON CAPACITY
 MAX. EARTH COVER 3.0 FT



OPERATING VOLUME: PRIMARY COMPARTMENT: 1006 GALLONS
 OPERATING VOLUME: SECONADARY COMPARTMENT: 498 GALLONS

DRAWN Todd Bolzer	5/8/2012	NORWESCO		
CHECKED		NORWESCO, INC., ST. BONIFACIUS, MN		
QA		TITLE		
MFG		1500 GALLON LOW PROFILE SEPTIC TANK - IAPMO		
APPROVED		SIZE	DWG NO	REV
		B		
		SCALE: 1/16	SHEET 1 OF 1	