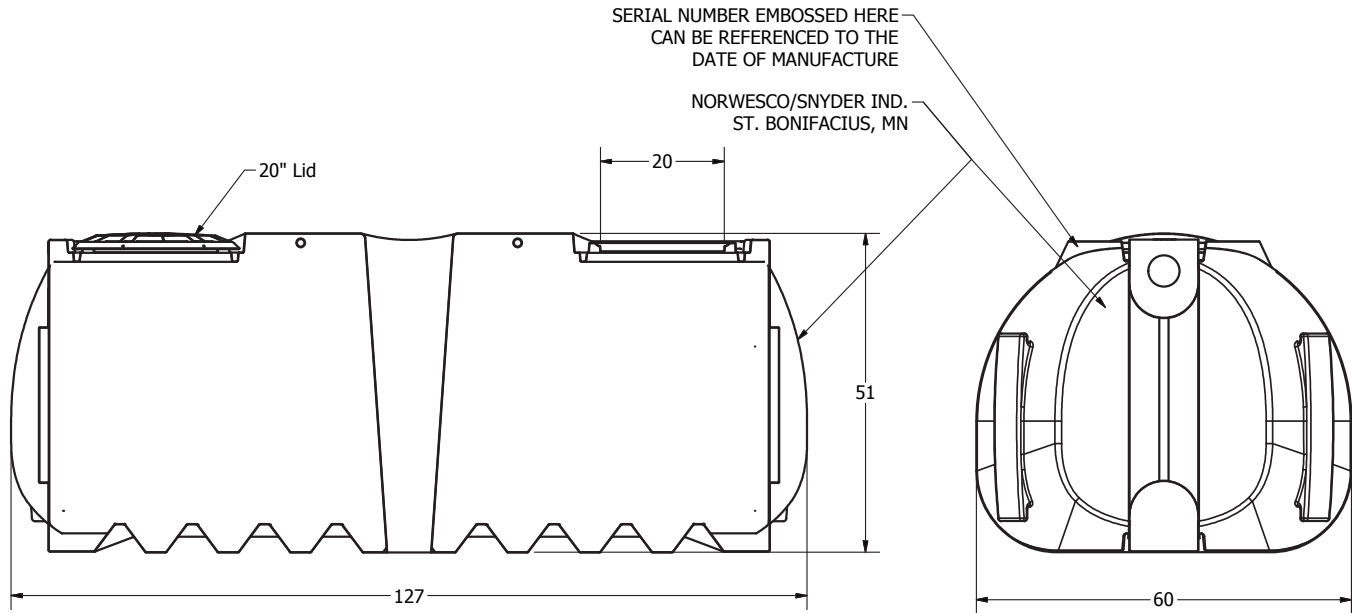




MATERIAL: HIGH-DENSITY POLYETHYLENE
Potable Water Certified (Contact for details)
1175 US GALLONS WORKING CAPACITY

REVISION HISTORY				
ZONE	REV	DESCRIPTION	DATE	APPROVED



ALL DIMENSIONS ARE IN INCHES, NOMINAL, AND SUBJECT TO CHANGE WITHOUT NOTICE.
 ALL DIMENSIONS ON ROTATIONALLY MOLDED PARTS ARE SUBJECT TO A ±3% TOLERANCE

DRAWN Todd Bolzer	7/6/2015	 NORWESCO NORWESCO, INC., ST. BONIFACIUS, MN
CHECKED		
QA		TITLE
MFG		1175 LOW PROFILE CISTERN
APPROVED		SIZE
		B
		DWG NO
		44405
		REV
		SCALE: 1/16
		SHEET 1 OF 1