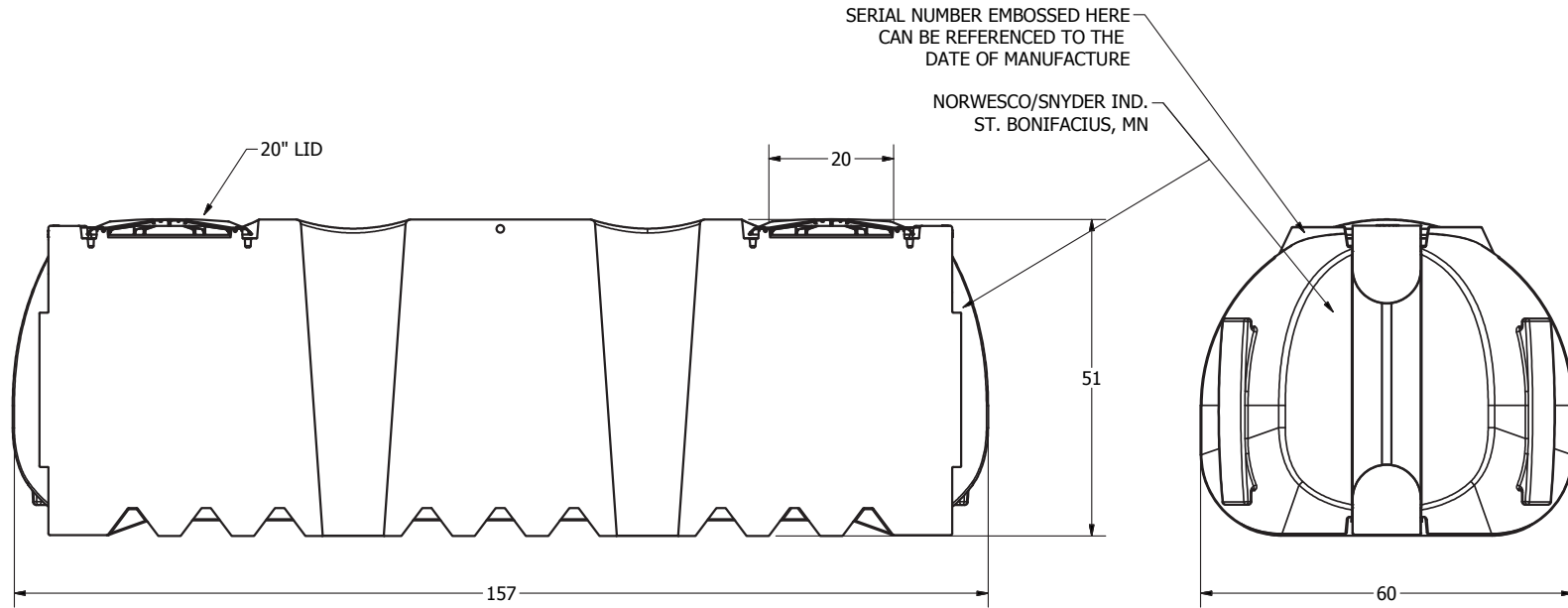




MATERIAL: HIGH-DENSITY POLYETHYLENE
Potable Water Certified (Contact for details)
1425 US GALLONS WORKING CAPACITY

REVISION HISTORY				
ZONE	REV	DESCRIPTION	DATE	APPROVED



ALL DIMENSIONS ARE IN INCHES, NOMINAL, AND SUBJECT TO CHANGE WITHOUT NOTICE.
 ALL DIMENSIONS ON ROTATIONALLY MOLDED PARTS ARE SUBJECT TO A ±3% TOLERANCE

DRAWN Todd Bolzer	7/6/2015	 NORWESCO NORWESCO, INC., ST. BONIFACIUS, MN TITLE
CHECKED		
QA		1425 LOW PROFILE CISTERN
MFG		
APPROVED		SIZE: B DWG NO: 44406 REV:
SCALE: 1/16		SHEET 1 OF 1