

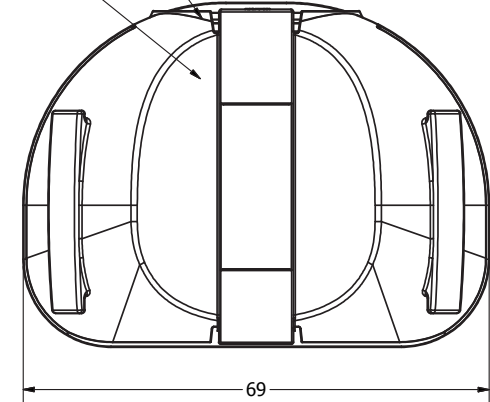
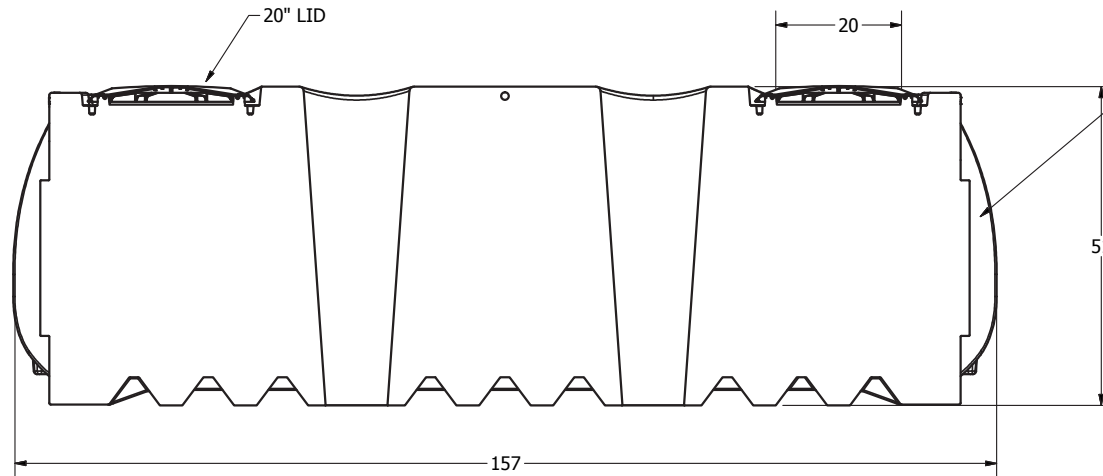


MATERIAL: HIGH-DENSITY POLYETHYLENE
Potable Water Certified (Contact for details)
1725 US GALLONS WORKING CAPACITY

REVISION HISTORY				
ZONE	REV	DESCRIPTION	DATE	APPROVED

SERIAL NUMBER EMBOSSED HERE
 CAN BE REFERENCED TO THE
 DATE OF MANUFACTURE

NORWESCO, INC.
 ST. BONIFACIUS, MN



ALL DIMENSIONS ARE IN INCHES, NOMINAL, AND SUBJECT TO CHANGE WITHOUT NOTICE.
 ALL DIMENSIONS ON ROTATIONALLY MOLDED PARTS ARE SUBJECT TO A ±3% TOLERANCE

DRAWN Todd Bolzer	7/6/2015	 NORWESCO NORWESCO, INC., ST. BONIFACIUS, MN TITLE		
CHECKED				
QA		1725 LOW PROFILE CISTERN		
MFG				
APPROVED				
		SIZE: B	DWG NO: 44407	REV:
		SCALE: 1/16	SHEET 1 OF 1	