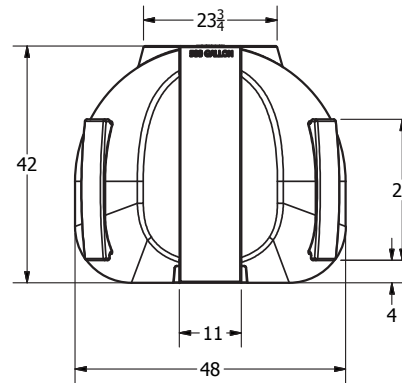
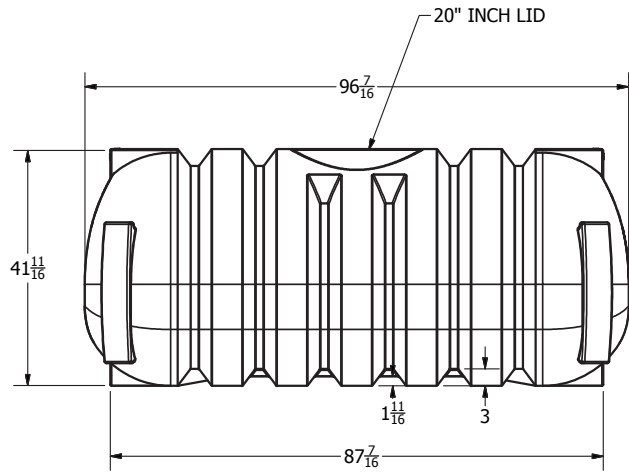
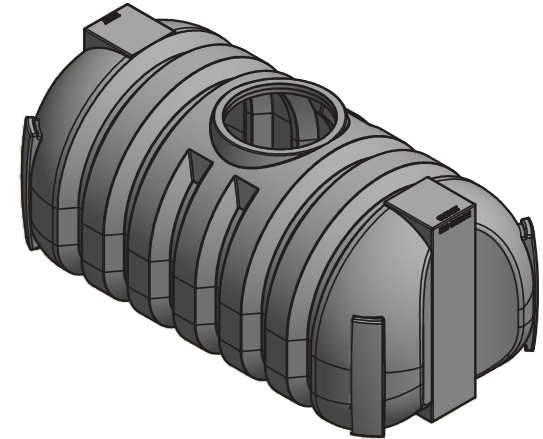




**MATERIAL: HIGH-DENSITY POLYETHYLENE**  
**Potable Water Certified (Contact for details)**  
**575 US GALLONS WORKING CAPACITY**



ALL DIMENSIONS ARE IN INCHES, NOMINAL, AND SUBJECT TO CHANGE WITHOUT NOTICE.  
 ALL DIMENSIONS ON ROTATIONALLY MOLDED PARTS ARE SUBJECT TO A ±3% TOLERANCE

DRAWN Todd Bolzer	6/2/2009	<b>NORWESCO</b>	
CHECKED		NORWESCO, INC., ST. BONIFACIUS, MN	
QA		TITLE	
MFG		575 LOW PROFILE CISTERN	
APPROVED		SIZE	DWG NO
		B	44360
		SCALE: 1/16	REV C
		SHEET 1 OF 1	