



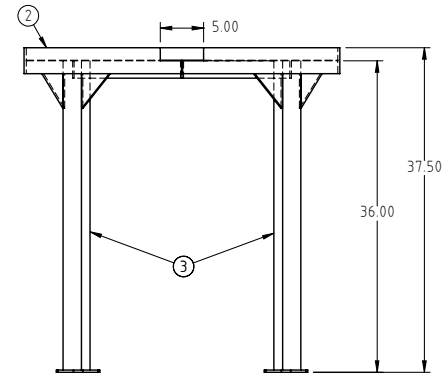
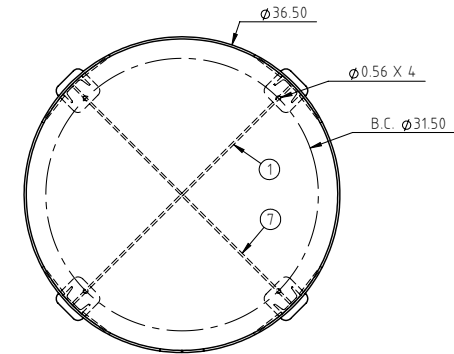
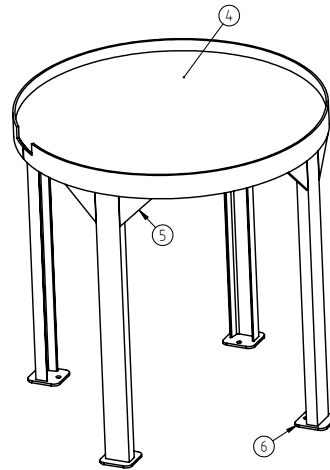
© DEN HARTOG INDUSTRIES, INC.

Copyright. All information furnished within this document, electronic file or design correspondence is the property of Den Hartog Industries, Inc. and shall not be used, disclosed to others or copied without the expressed written consent of Den Hartog Industries, Inc.


KEY	PART NUMBER	DESCRIPTION	QTY.
1	VT300-35ST-1	SUPPORT STRAP	1
2	VT300-35ST-2	STAND RING	1
3	VT300-35ST-3	CHANNEL LEG	4
4	VT300-35ST-4	SUPPORT PLATE	1
5	VT160-28ST-5	LEG BRACE	8
6	12750	1/4" X 4" X 4" LEG PAD	4
7	VT300-35ST-7	SUPPORT STRAP-SHORT	2

VT300-35ST

D



D	COMPONENTS TABLE LAYOUT UPDATED	ADH 4/27/10	2023
C	MATERIAL P.N. CORRECTED, 12750 WAS SJC85/90ST, DRAWING TEMPLATE UPDATED	ADH 1/27/10	1995
B	TOLERANCE WAS 1% @ 68°F	GWC 3/13/07	
A	ADDED B.O.M. AND WELD DESC	NVE 7/17/06	
REV	DESCRIPTION	BY / DATE	CCN
ALL DIMENSIONS ARE IN DECIMAL INCHES TOLERANCES UNLESS OTHERWISE SPECIFIED		THIRD ANGLE PROJECTION ANSI 14.5M	SHOT WEIGHT: SHIPPING WEIGHT: FINISH:
POLYETHYLENE ±1% @ 68°F	METAL DECIMAL ± .125" FRACTION ± 1/4" ANGLE ± 1°		114.00 LBS POWDER COATING, BLACK TILE, 40012



Den Hartog
INDUSTRIES, INC.

Ace Roto-Mold Injection Molding Blow Molding Sowjoy
4010 HOSPERS DRIVE S. BOX 425, HOSPERS, IOWA 51238-0425

DESCRIPTION METAL STAND FOR 300 GALLON VERTICAL TANK	
SCALE N.S.	PART NO. VT300-35ST