

The Myers® SRM4 series residential sewage pumps are considered by industry pros to be extremely reliable. The specially designed recessed impeller allows 2" solids to easily pass through without jamming. The cast iron housing and volute case handle the harshest conditions and will provide years of service. Automatic and manual operation models available.

APPLICATIONS

Sewage, high-capacity sump, effluent

SPECIFICATIONS

- Capacities – 95 GPM (360 LPM)
- Shut-off Head – 19' (5.8 m)
- Solids Handling – 2" (50.8 mm)
- Liquids Handling – Septic effluent and sewage
- Intermittent Liquid Temperature – Up to 140°F (60°C)
- Motor/Electrical Data – 4/10 HP, permanent split capacitor type, 115V, 12A, 1Ø, 60Hz; 230V, 6A, 1Ø, 60Hz
- Acceptable pH Range – 5-9
- Discharge, NPT – 2" (50.8 mm)
- Housing – Heavy cast iron
- Power Cord – 10' (20' optional)
- Impeller – Recessed, thermoplastic
- Volute Case – Cast iron
- Shaft Seal – Type 11A, carbon and ceramic



FEATURES

Versatile Applications

Effective and efficient performance in septic tank sewage, effluent and high-capacity sump applications

Handles the Heat

High-endurance, oil-cooled motor for continuous bearing lubrication and critical heat dissipation

Powerful Torque

High-torque, permanent split capacitor (PSC) motor; no starting switches or relays to wear out

Motor Protection

Long-life carbon/ceramic seal provides extra protection against water leaks

Excess Heat Detection

Internal heat sensor provides overload protection; automatically resets when motor cools to a safe operating temperature

Free-flow Design

Recessed impeller design also improves the free flow of solids up to 2"

Longer Bearing Life

Recessed impeller reduces radial bearing loads, increasing bearing life

Automatic and Manual

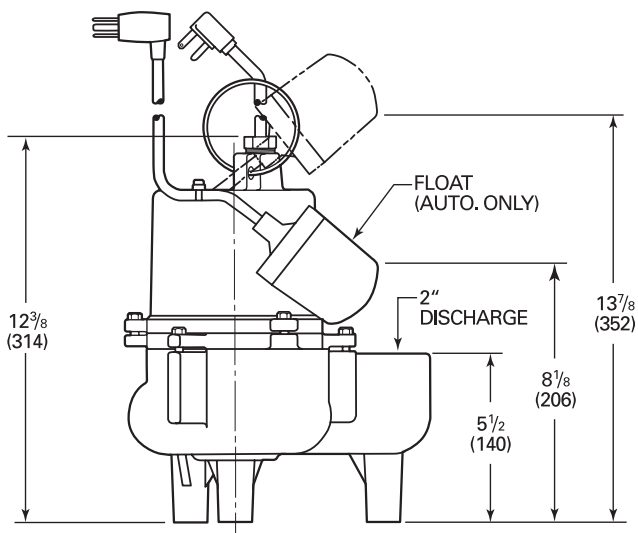
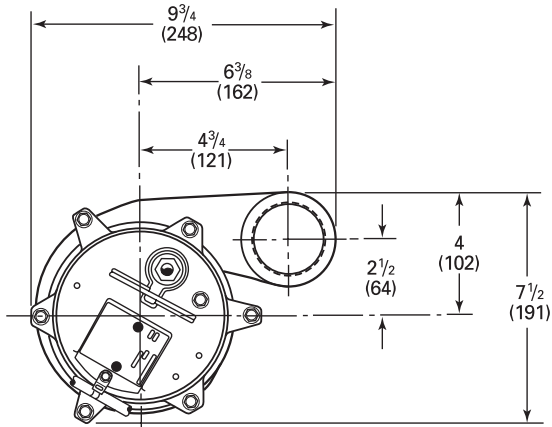
Automatic tethered or vertical switch models (with piggyback plug), or manual operation models

ORDERING INFORMATION

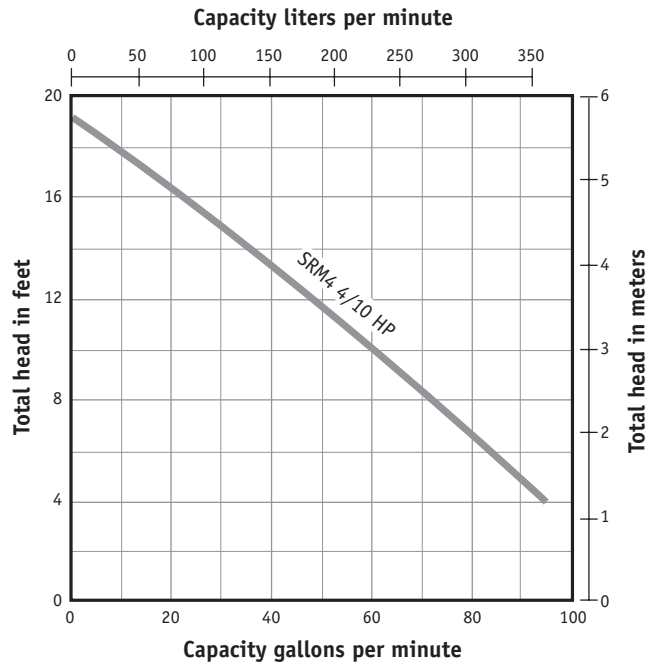
Catalog Number	HP	Volts	Phase/Cycles	Amps	Discharge Size	Switch Type	Cord Length	Approx. Wt. Lbs.
SRM4P-1	4/10	115	1/60	12.0	2"	Tethered Automatic*	10'	40
SRM4PC-1	4/10	115	1/60	12.0	2"	Tethered Automatic*	20'	40
SRM4M1C	4/10	115	1/60	12.0	2"	Manual	20'	39
SRM4PC-2	4/10	230	1/60	6.0	2"	Tethered Automatic*	20'	40
SRM4M2C	4/10	230	1/60	6.0	2"	Manual	20'	39
SRM4V-1	4/10	115	1/60	12.0	2"	Vertical Automatic*	20'	40
SRM4V-2	4/10	230	1/60	6.0	2"	Vertical Automatic*	20'	40

*Piggyback

DIMENSIONS



PUMP PERFORMANCE



SPECIFICATIONS

SEWAGE PUMPS – Pump(s) shall be Myers SRM4 series sewage pumps selected in accordance with the following design criteria:

Number of Pumps:	_____
Primary Design Flow:	_____
Primary Design Head:	_____
Minimum Shut-off Head:	19
Motor Horsepower:	4/10
Motor Speed:	1650 RPM
Electrical:	115 Volts, 1Ø, 60 Hz or 230 Volts, 1Ø, 60 Hz

PUMP – The pump shall be designed to handle raw sewage and be capable of passing 2 inch spherical solids. The pump shall be capable of handling liquids with temperatures to 140°F intermittent.

MOTOR – The pump motor shall be of the submersible type rated 4/10 hp at 1650 RPM and shall be for _____ 115 volts or _____ 230 volts single phase, 60 cycles. Stator winding shall be of the open type with Class A insulation rated for 105°C maximum operating temperature. The winding housing shall be filled with clean dielectric oil to lubricate bearings and seals, and transfer heat from the windings to the outer shell. The motor winding assembly shall be pressed into the stator housing for best alignment and heat transfer.

The motor shall be capable of operating over the full range of the performance curve without overloading the motor and causing any objectionable noise or vibration. The motor shall have two bearings to support the rotor; an upper sleeve bearing to accommodate radial loads and a lower sleeve bearing with thrust pad to take thrust and radial loads.

A heat sensor thermostat and overload shall be attached to the top end of the motor windings and shall be wired in series with the windings to stop the motor if the motor winding temperature reaches 221°F. The overload thermostat shall reset automatically when the motor cools to a safe operating temperature.

POWER CORD – The motor power cord shall be _____ 10 or _____ 20 feet SJTW/SJTW-A type. The cord shall have a molded compression grommet to insulate electrical connections. The grommet shall thread into the motor housing to provide a positive seal and to prevent leaking of liquid into the motor housing. The sealing grommet shall provide strain relief for the power cord assembly.

OPTIONAL CONTROL SWITCH – The sewage pump shall be controlled by an optional piggyback float switch. The float switch shall be of a non-mercury type and be capable of directly controlling the pump motor without the need for an external control panel.

SHAFT SEAL – The motor shall be protected by a rotating mechanical shaft seal. The seals shall have carbon and ceramic seal faces lapped to a tolerance of one light band. Metal parts and springs for seals shall be stainless steel.

PUMP IMPELLER – The pump impeller shall be of the non-clog type. The impeller shall be constructed of engineered thermoplastic.

MOTOR CASTINGS – The motor housing castings shall be of high tensile strength Class 30 gray cast iron. Castings shall be treated with phosphate and chromate rinse and painted with a high quality air dry alkyd enamel for corrosion protection.

PUMP CASE – The pump case shall be a high efficiency volute design capable of passing 2 inch spherical solids. The pump volute shall be constructed of Class 30 gray cast iron.

FASTENERS – All exposed fasteners shall be of stainless steel.