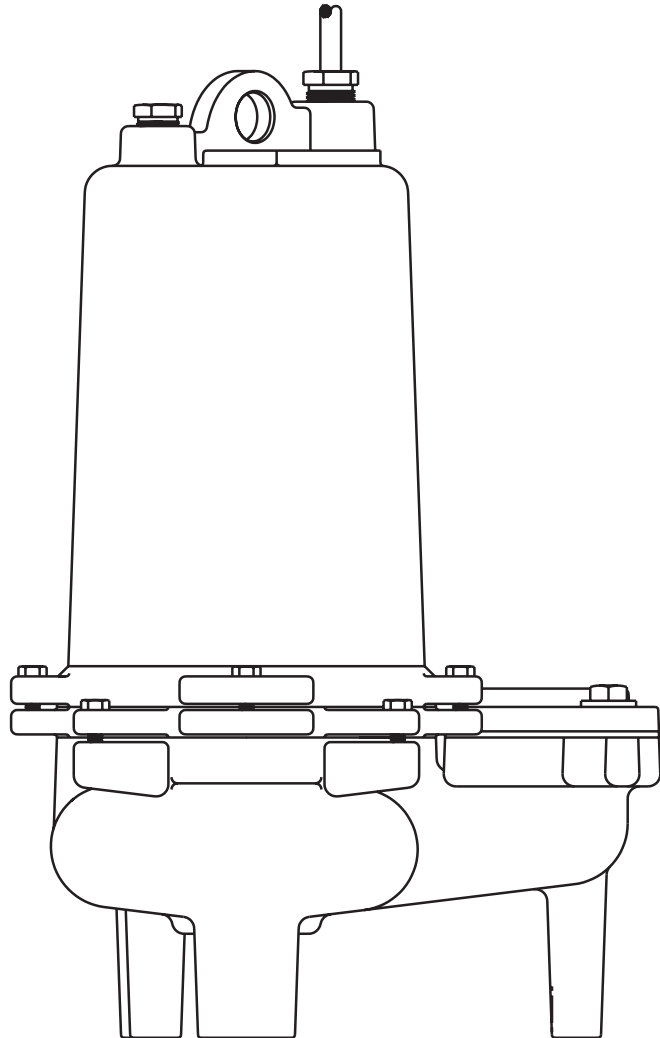




MYERS®



WHR/WHRH/WHRE SERIES **SUBMERSIBLE SEWAGE PUMPS**

INSTALLATION AND SERVICE MANUAL

NOTE! To the installer: Please make sure you provide this manual to the owner of the equipment or to the responsible party who maintains the system.

GENERAL DESCRIPTION AND USES

The WHR Series are solids handling pumps that can be used to pump RAW SEWAGE for COMMERCIAL and DOMESTIC use, but are not intended to handle large rags, mop heads or strings. All pumps can be used for normal sewage duty where extra capacity is required.

RECESSED IMPELLERS

All of the pumps are of the recessed impeller type that provides a clear volute passage for solids as no solids pass through the impeller.

All of the pumps listed can be used to pump septic tank EFFLUENT or GROUND sewage as used in some pressure sewer systems.

WARNING! THESE PUMPS ARE NOT APPROVED FOR, AND SHOULD NOT BE USED IN SWIMMING POOLS OR FOUNTAINS.

AIR LOCKING

A sewage pump is air locked if water traps air in the pump and it cannot get out, thus preventing the pump from operating.

In installations of this type a 1/8" hole should be drilled in the discharge pipe below the check valve. The check valve should be 12 to 18 inches above pump discharge. Do not put check valve directly into pump discharge opening.

LEVEL CONTROLS

All pumps must use sealed level control switches for automatic operation. MLC and MFLC controls have sealed switches that are 1 HP rated at 230 volts. ALC and AWS-1 controls have sealed mechanical switches that are rated 2 HP at 230 volts.

Simplex single phase pumps can be automatic by attaching MFLC or MLC controls to the pump. These switches have a fixed draw-off level of 8 to 10 inches and can be used up to 1 HP. For higher horsepower ratings two mercury switch (or SMNO) controls with a magnetic starter can be used.

The ALC and AWS-1 controls can be used for simplex single phase pumps with ratings up to 2 HP.

All duplex systems must use pilot mercury control sensor switches with control box and magnetic starters.

Plug-in cords can be used on all the single phase pumps without seal leak detector. This cord has a GROUND pin that plugs into a grounded receptacle.

The grounded receptacle cannot be used in the wet sump or basin due to DANGER of current leakage.

Sealed junction boxes must be used in wet sumps or basins to make connections to motor cord. The AWS-1 control also acts as a sealed junction box for connecting power cord to pump cord.

MOTOR TYPES

All single phase pump motors are of the permanent split capacitor type that do not require a start switch or start relay.

Automatic reset overload switches are attached directly to the motor windings.

Three phase pump motors are squirrel cage induction type.

SAFETY WARNINGS

WARNING: Risk of electric shock. Pumps without seal leak detectors are supplied with a grounding conduction and grounding-type attachment plug on the power cord. To reduce the risk of electric shock, be certain that it is connected only to a properly grounded, grounding-type receptacle. DO NOT cut off ground pin or use an adapter fitting. DO NOT use an extension cord with this pump. Entire plug may be cut off if a control panel is used.

When wiring this pump follow all local electrical and safety codes and ordinances as well as the most recent National Electric Code (NEC-ANSI/NFPA 70).

All pumps have a GROUND WIRE that is connected to a screw in the metal motor housing. This wire goes to the receptacle or control box which must be connected to a good outside GROUND such as a metal water pipe or GROUND STAKE driven at least 8 feet into the ground.

CALIFORNIA PROPOSITION 65 WARNING:

▲ WARNING This product and related accessories contain chemicals known to the State of California to cause cancer, birth defects or other reproductive harm.

INSTALLATION

Pumps can be installed inside sealed basins with proper venting for either simplex or duplex systems. Simplex or duplex basin systems are available.

It is not recommended that basins be used for raw sewage inside the home, but are for use in office buildings and small industrial buildings and factories.

If raw sewage must be pumped in the home, use outside basins that connect with pressure sewer mains or gravity sewers, or run to septic tanks.

Basins can be used inside the home where extra capacity sump pumps are required for water softeners and wash water.

If an inside basin is used, it is usually installed at the time of pouring the concrete floor.

Pumps can be installed in a compartment of septic tanks for pumping to pressure sewer mains, gravity sewers, leach fields, or evaporation mounds.

PROPER VENTING FOR BASINS INSTALLED INSIDE

All inside sealed basins must have a 2" or 3" vent pipe installed in accordance with local codes. Basins for handling softener water, wash or drainage water do not have to be sealed or vented.

Outside basins are usually of fiberglass and from 4 to 8 feet deep and have a sealed cover. Pump is usually installed with a lift-out rail system so that pump can be removed without disturbing the discharge piping. The check valve comes out with pump for servicing. Complete lift-out systems mounted in fiberglass basins are available to meet customer specifications.

WARNING: Basin must be vented in accordance with local plumbing codes. These pumps are not designed for and CANNOT be installed in locations classified as hazardous in accordance with the National Electric Code ANSI/NFPA 70.

PIPING

Pumps are fitted with 2" or 3" female threaded pipe flange. Galvanized or PVC plastic pipe can be used. Plastic pipe is preferred for raw sewage or septic tank effluent.

CHECK VALVES AND SHUT-OFF VALVES

All pumps must have check valves and shut-off valves in the discharge line. Check valves must be flapper type with outside spring or ball type. Shut-off valves can be ball or gate type. Plastic construction for both check or shut-off valves is preferred.

HOW TO SET CONTROLS FOR SIMPLEX SYSTEMS

1. Automatic systems — These systems have the float switches mounted on the pump, so pump is installed in the basin and motor cord is plugged into GROUNDED receptacle. For sealed basin

cover, power cord is brought through a split rubber plug in the basin cover.

2. Where 2 float controls are used, the turn-on control is set 3" to 6" above top of motor, and the turn-off control is set about 6" to 8" above bottom of basin. If a high level alarm control is used, it is set about 6" above upper control. If basin depth will not allow these settings, closer spacing can be used.
3. Where ALC or AWS-1 (automatic wet systems) controls are used, the displacement weights are set so that turn-on weight is 4" to 6" above top of motor and lower weight is set about 6" above basin bottom.

HOW TO START SIMPLEX SYSTEMS

1. For single-phase pumps with MLC or MFLC control, plug cords piggyback into receptacle and run water into basin until pump starts. Allow pump to make several on/off cycles. Leave power cord plugged in.

If pump runs but does not pump it may be air locked. Unplug cord and crack union in the discharge line, then restart pump. This should vent off any trapped air. Retighten union.

2. With 2 float controls turn on power at the control box and run water into basin. When level gets above top control, pump should start and continue to pump until level drops to lower control, stopping pump. Run pump through several cycles. If pump runs but does not pump, check air lock. Leave power on for automatic operation.
3. Where ALC or AWS-1 controls are used, plug in cord or turn-on power and run water into basin. When level is about halfway up on upper weight, pump should start and run until level drops until about half the lower weight is above water, stopping pump.

For all cases if motor does not start when water level is up, check for proper plug-in or that start switch is on, or if fuse is blown.

ALWAYS HAVE ELECTRICIAN MAKE ELECTRICAL CHECKS.

STARTING PUMP PIGGYBACK (AUTOMATIC) USING MECHANICAL SWITCH WITH SERIES PLUG – SIMPLEX SYSTEM

1. These pumps have a mechanical (mercury-free) float switch with a 20 ft. cord and a 115 volt or 230 volt series piggyback plug on 1/2 HP with switch mounted to the pump. On 3/4, 1, and 2 HP, it requires 20 ft. cord and 230 volt only.
2. Plug the switch cord plug into a proper voltage, properly grounded outlet.

3. Plug the pump power cord into the back of the switch cord series plug.
4. Tape the cords to the discharge pipe every 12".
5. Run water into basin until pump starts. Be sure discharge line valve is open.
6. Allow pump to operate through several on/off cycles.

HOW TO SET CONTROLS AND START DUPLEX SYSTEMS

CONTROL BOX MUST BE USED ON ALL DUPLEX SYSTEMS

1. 4 float controls are used for duplex systems. Set turn-on control 6" to 8" above pumps. Set turn-off control 8" to 10" above bottom of basin. Set override control 6" to 8" above turn-on control. Set high level alarm control about 6" to 8" above override control. Mark all control cords so that they can be connected correctly in the control box.
2. Turn Hand-Off-Auto switches to OFF position and close circuit breaker.
3. Turn both H-O-A switches to the AUTO position and run water into basin. When level floats up and activates the turn-on switch, one pump should start and run. Pump will continue to run until lower control is exposed, stopping pump.
4. Run water into sump again and when level floats up turn-on control, opposite pump will start and run until level drops exposing lower control, stopping pump.
5. Run this test several times to be sure pumps are alternating properly.
6. To check high level alarm, again turn both switches to OFF and fill basin until level is above the alarm control. Turn switches to AUTO position and alarm buzzer should sound and alarm light should come on. When level drops below the alarm, control buzzer should stop.
7. If pumps operate as described, then set both H-O-A to AUTO and pumps are ready to operate automatically.

CAUTION: NEVER WORK ON PUMPS OR CONTROL BOXES UNTIL CIRCUIT BREAKERS ARE TURNED OFF. Always have a qualified electrician make electrical connections and service checks.

SPECIAL INSTRUCTIONS FOR THREE PHASE PUMPS

1. **WARNING! Only qualified persons shall conduct services and installations of this pump. The pump must be wired by a qualified electrician, using an approved starter box and switching device.**

CAUTION! Risk of electric shock. Do not remove cord and strain relief. Do not connect conduit to pump.

2. Three phase pumps are always installed with control boxes having magnetic starters with 3-leg overload protection. **DO NOT TRY TO RUN THREE PHASE PUMPS DIRECTLY ACROSS THE LINE.**
3. **To Connect Pump:** Run wire from pump to the bottom of control box or appropriate junction box suitable for enclosing splice connections. A hole must be cut into the control box for the wires. With power to control box off, connect green (ground) line to ground lug. Connect black (power) wires to power lead terminals. Make sure that all wires are inside control box and not in a position to be pinched or shorted when the door is closed.
4. All three phase motors can run either direction. Rotation can be changed by interchanging any two line leads at magnetic starter. **BE SURE CIRCUIT BREAKER IS OFF BEFORE MAKING THIS CHANGE.**

To find if rotation is correct, operate pumps and check delivery operation. If flow and head are low (refer to pump curve shown in this manual), the rotation is wrong. With duplex pumps check operation of both pumps.

5. All pump impellers either single or three phase must turn counterclockwise when looking into pump inlet. If uncertain of rotation, **TURN OFF POWER** and lift pump from basin with cord connected and lay pump on side so impeller can be seen. Turn on power and start pump using hand position of H-O-A switch. Turn on and off fast, so that coast of impeller can be seen. **NEVER PUT HAND OR FINGERS ON THE IMPELLER.** Interchange any two line leads at the magnetic starter to change rotation.

TROUBLESHOOTING

1. **Pump does not run or start when water is up in tank.**
 - a. Check for blown fuse or tripped circuit breaker.
 - b. Check for defective level switch.
 - c. Where control panel is used be sure H-O-A switch is in the AUTO position. If it does not run, turn switch to the HAND position and if the pump runs then the trouble is in the automatic electrical system. Have an electrician make electrical checks.
 - d. Check for burned-out motor. Occasionally lightning can damage a motor even with lightning protection.
 - e. Where plug-in cords are used be sure contact blades are clean and making good contact. **DO NOT USE PLUG-IN CORDS INSIDE A BASIN OR WET WELL.**

2. Pump runs but does not deliver flow.

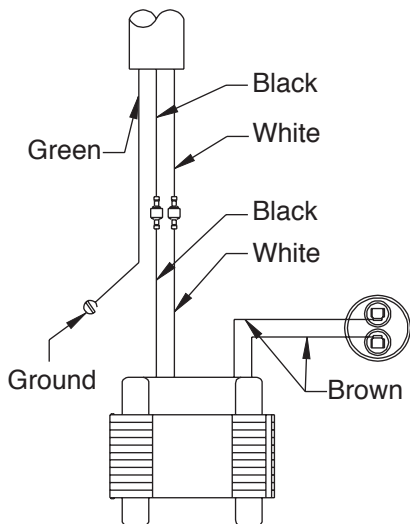
- a. Check for airlock. Start and stop pump several times. If this does not help it may be necessary to loosen a union in the discharge line to relieve airlock.
- b. Check valve may be installed backward. Check flow arrow on valve body. Check shut-off valve. It may be closed.
- c. Check vertical elevation. It may be higher than pump can develop. (See pump curves.)

- d. Pump inlet may be plugged. Remove pump to check.
- e. Level control ball or weight may be stuck on side of basin. Be sure it floats freely.

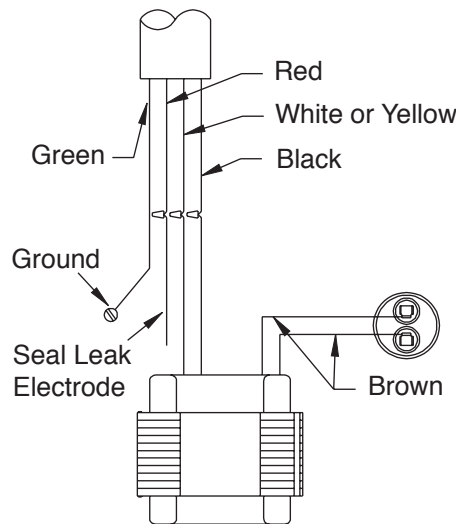
CAUTION: ALWAYS UNPLUG POWER CORDS OR TURN OFF ALL MAIN AND BRANCH CIRCUIT BREAKERS BEFORE DOING ANY WORK ON THE PUMP. If control panel is remote from pump, disconnect lead wires to motor so that no one can turn the circuit breaker back on.

WIRING DIAGRAMS

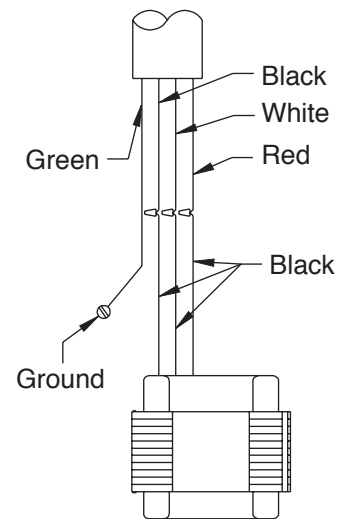
**115V, 200V or 230V
1 Phase, P.S.C.**



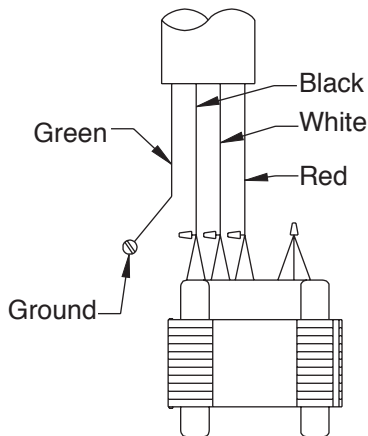
**115V, 200V or 230V
1 Phase, Single Voltage
P.S.C. Motor**



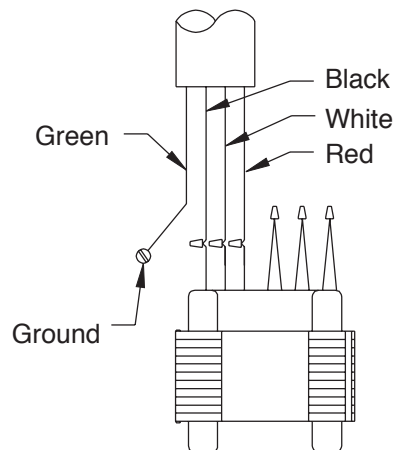
**575V – 3 Phase
200V – 3 Phase (3 HP)**



**DOUBLE SEAL PUMPS WITH
SEAL LEAK PROBE
(RED CONDUCTOR IN POWER CORD
IS FOR SEAL LEAK PROBE)**

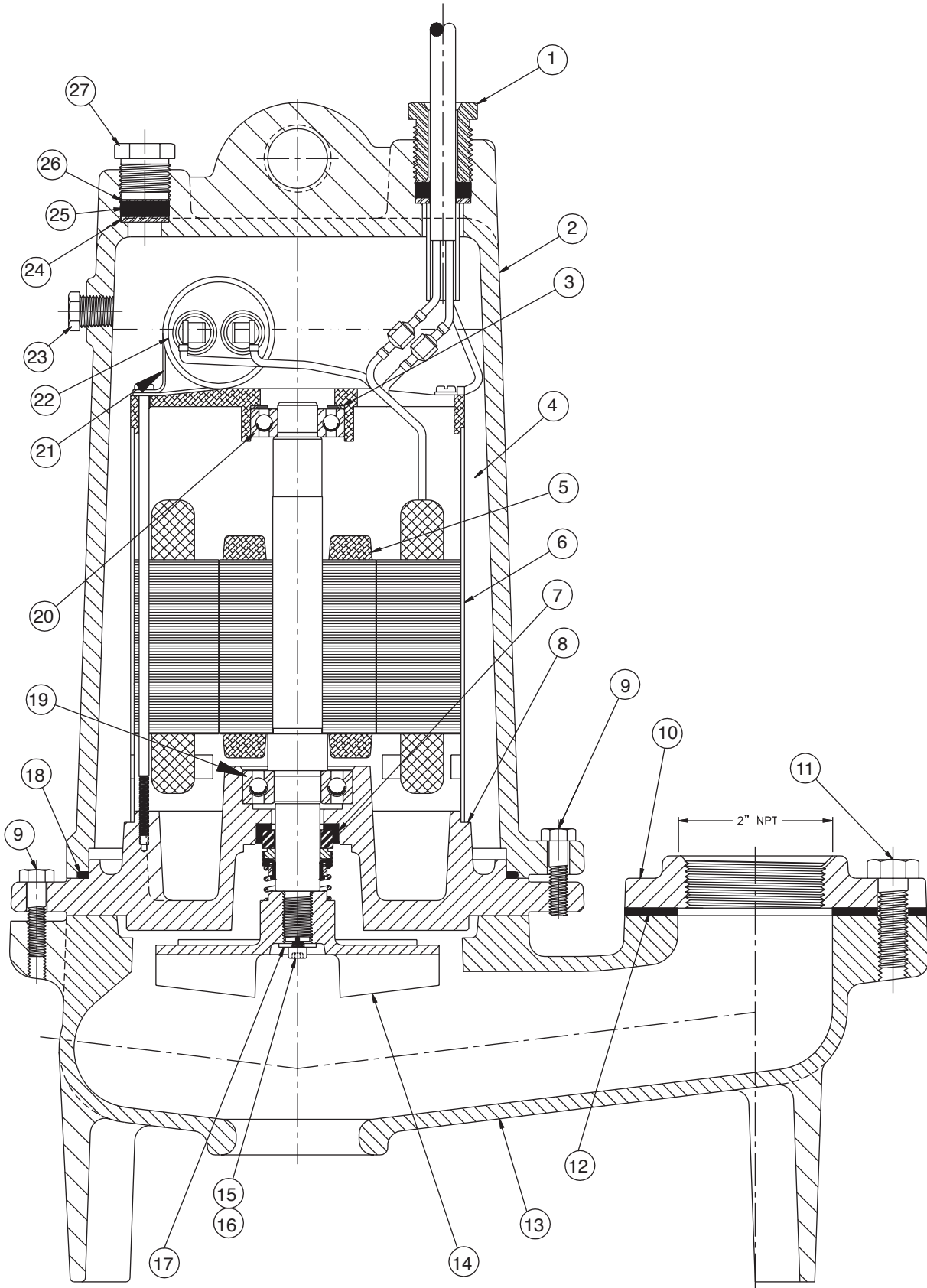


**230V – 3 Phase
208V – 3 Phase (1–2 HP)**



460V – 3 Phase

TYPICAL SECTION DRAWING



REPAIR PARTS LIST

SINGLE SEAL REPAIR PARTS LIST WRRH SERIES

Ref. No.	Description	No. Req'd	Part No.
1	Cord, Power	1	See Chart
2	Housing, motor	1	25327D000
3	Washer, Bearing	1	19331A005
4	Oil, Transformer (5 gal.)	.8-1 gal	11009A006
5 & 6	Stator, Rotor shaft with shell	1	See Chart
6A	Connectors (3 ph only)	3-6	15781A001
7	Seal, shaft	1	25370A000
8	Plate, brg & seal	1	25367D000
9	Screw, cap, 5/16 x 1-1/4	8	19100A012
10	Flange, 2" CI	1	002080002
10	Flange, 3" CI Alternate	1	002070002
11	Screw, cap, 1/2-13 x 1-1/2	2	19103A043
12	Gasket, rubber	1	003240011
13	Case, volute	1	27195E000

Ref. No.	Description	No. Req'd	Part No.
14	Impeller, DI (std. series)	1	See Chart
15	Screw, Machine #10 x 3/8	1	06106A042
16	Sealant (Grade 271 Loctite®)	1	14550A001
17	Washer, Impeller Retainer	1	05030A242
18	Gasket, tetraseal, 7 x 6-3/4 x 1/8	1	05014A181
19	Bearing, ball, lower	1	08565A022
20	Bearing, ball, upper	1	08565A013
21	Clip, capacitor (1 ph only)	1	See Chart
22	Capacitor (1 ph only)	1	See Chart
23	Plug, 1/4" pipe	1	05022A009
24	Washer, 3/32" Thk.	1	05030A235
25	Gasket, rubber	1	05014A193
26	Washer, 1/32" Thk.	1	05030A234
27	Nut, cord plug, solid	1	25341A002

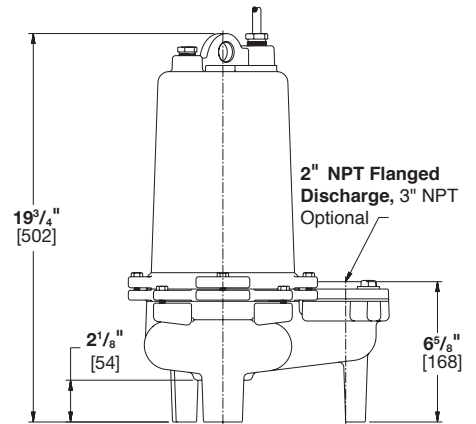
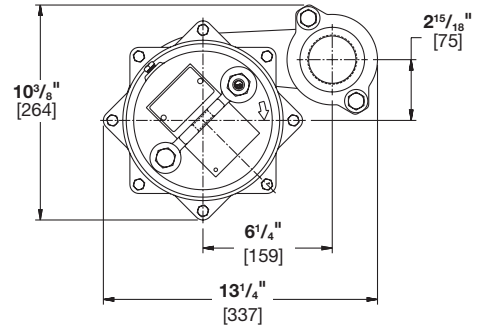
Unit manufactured prior to Aug-2007 contact factory for repair parts

VARIABLE PARTS CHART

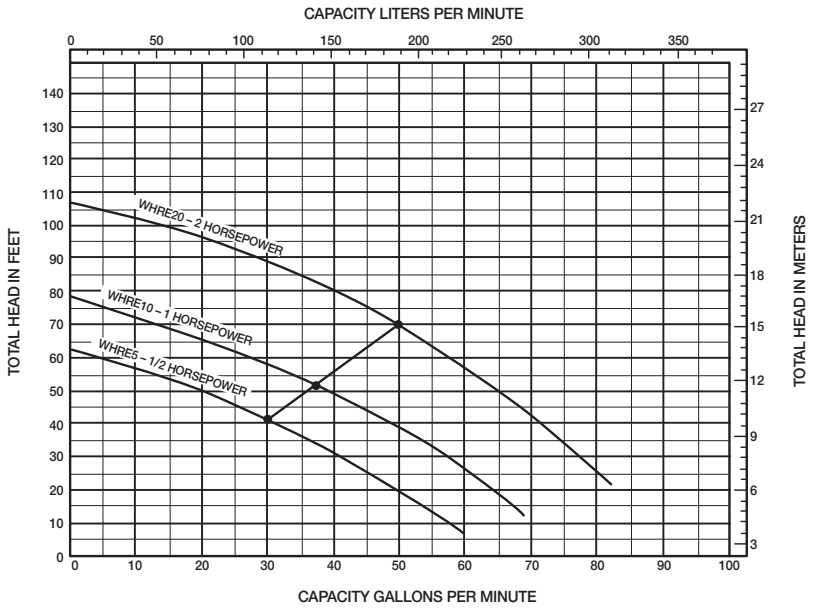
HP	Volts	ph	Power Cord w/Plug	Power Cord No Plug	Cap.	Cap. Clip	Stator Rotor and Shaft Assembly	WRRH Impeller DI
1/2	115	1	25338B004	25338B006	23839A000	20333A006	25484D100	27194C003
1/2	208	1		25338B006	23839A000	20333A006	25484D101	27194C003
1/2	230	1	25338B005	25338B006	23839A000	20333A006	25484D101	27194C003
1/2	208	3		25338B003			25484D102	27194C003
1/2	230	3		25338B003			25484D102	27194C003
1/2	460	3		25338B003			25484D102	27194C003
1/2	575	3		25338B003			25484D103	27194C003
3/4	115	1	25338B000	25338B002	23839A000	20333A006	25484D100	
3/4	208	1		25338B002	23839A000	20333A006	25484D101	
3/4	230	1	25338B001	25338B002	23839A000	20333A006	25484D101	
3/4	208	3		25338B003			25484D102	
3/4	230	3		25338B003			25484D102	
3/4	460	3		25338B003			25484D102	
3/4	575	3		25338B003			25484D103	
1	208	1		25338B002	23838A000	20333A004	25484D104	27194C002
1	230	1	25338B001	25338B002	23838A000	20333A004	25484D105	27194C002
1	208	3		25338B003			25484D106	27194C002
1	230	3		25338B003			25484D106	27194C002
1	460	3		25338B003			25484D106	27194C002
1	575	3		25338B003			25484D107	27194C002
1-1/2	208	1		25338B002	23838A000	20333A004	25484D104	27194C001
1-1/2	230	1	25338B001	25338B002	23838A000	20333A004	25484D105	27194C001
1-1/2	208	3		25338B003			25484D106	27194C001
1-1/2	230	3		25338B003			25484D106	27194C001
1-1/2	460	3		25338B003			25484D106	27194C001
1-1/2	575	3		25338B003			25484D107	27194C001
2	208	1		25338B009	23839A000	20333A006	25484D108	27194C010
2	230	1		25338B009	26520A000	20333A006	25484D109	27194C010
2	208	3		25338B008			25484D110	27194C010
2	230	3		25338B008			25484D111	27194C010
2	460	3		25338B003			25484D111	27194C010
2	575	3		25338B003			25484D112	27194C010

DIMENSIONS

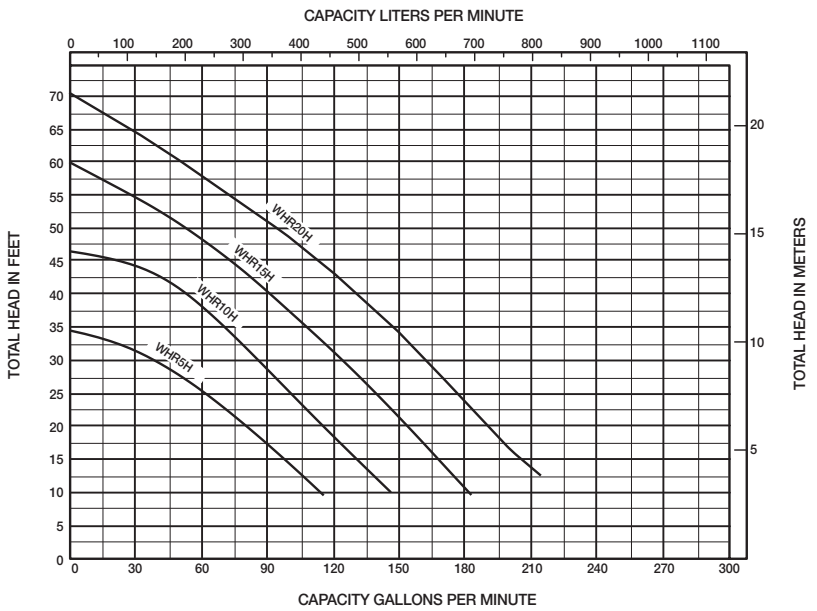
[dimensions in mm]



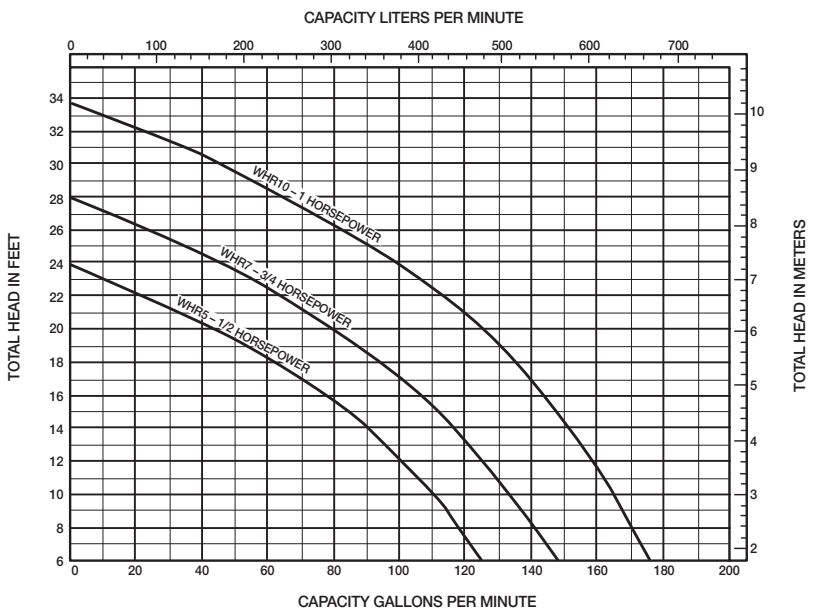
**PERFORMANCE
CURVES
WHRE SERIES**



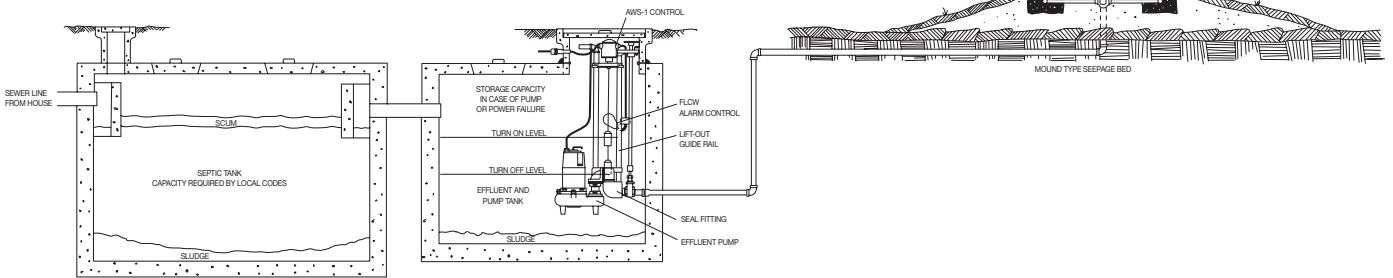
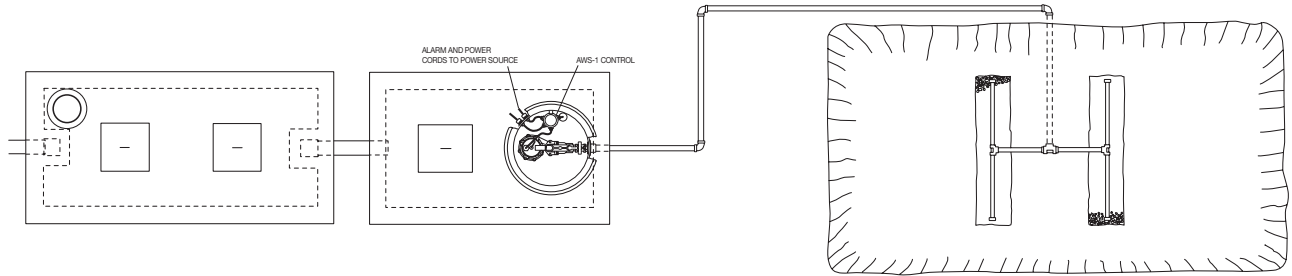
**PERFORMANCE
CURVES
WHRH SERIES**



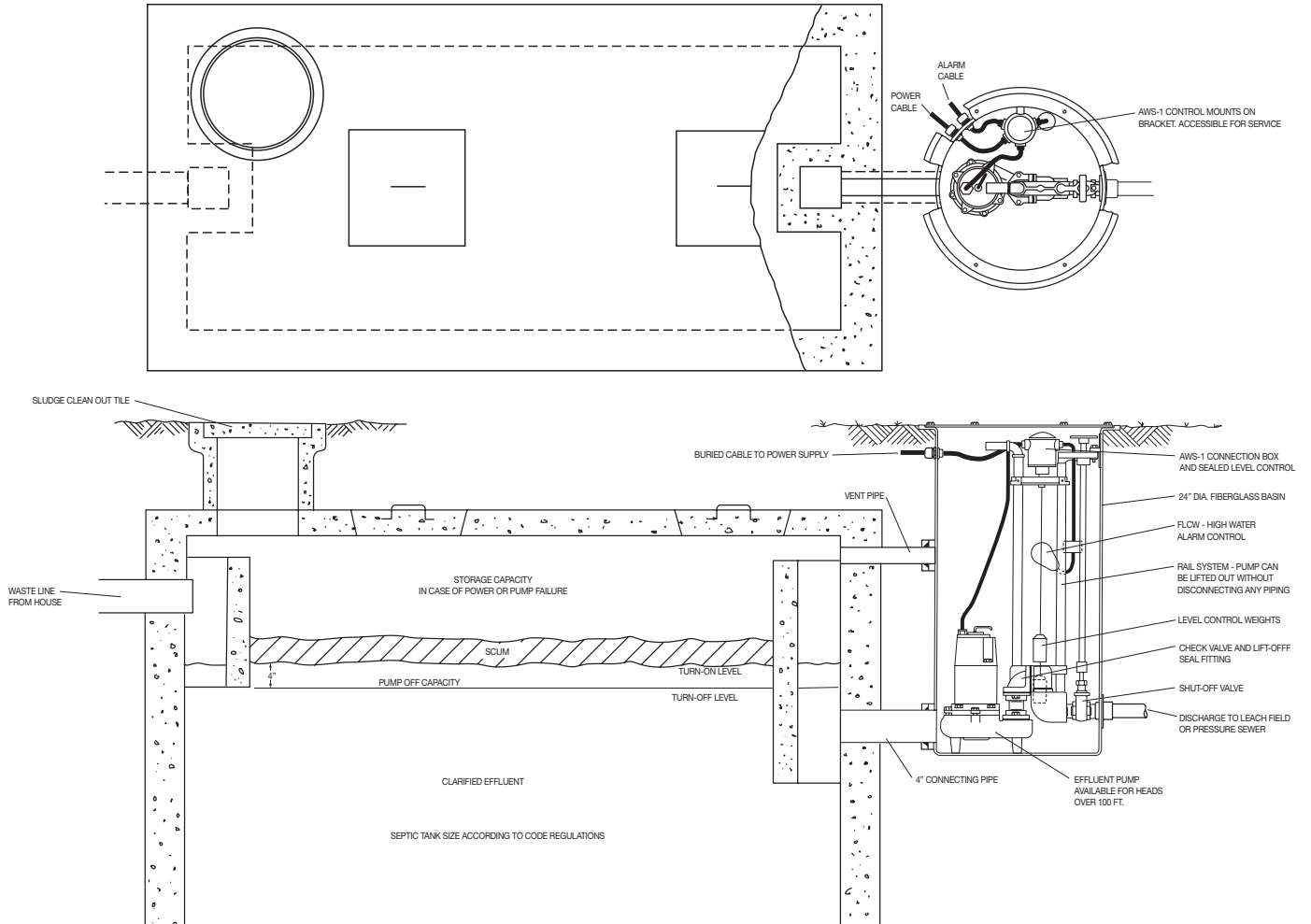
**PERFORMANCE
CURVES
WHR SERIES**



PUMP IN SEPARATE TANK PUMPING TO SEEPAGE MOUND



PUMP IN FIBERGLASS BASIN AT OUTLET OF SEPTIC TANK WHEN PUMPING INTO PRESSURIZED SEWER MAIN OR LEACH FIELD



PUMP AND CONTROLS IN SEPTIC TANK WHEN PUMPING INTO PRESSURIZED MAIN OR LEACH FIELD

