



barrplastics.com
1-800-665-4499

WHR and WHR-DS

2" Solids Handling Sewage Pumps,
Single and Double Seal



THE WHR SERIES PUMPS ARE DESIGNED FOR USE IN LIGHT COMMERCIAL AND RESIDENTIAL RAW SEWAGE APPLICATIONS. WHR pumps will pass a full 2-inch sphere. The recessed vortex impeller provides an unobstructed passage in the volute case which allows these pumps to handle stringy, trashy solids without plugging the impeller. The vortex impeller also greatly extends the pumps' bearing life. Available in double seal configuration for extended motor life. For more information, call your Myers distributor, or the Myers Ohio sales office at 419/289-1144.

ADVANTAGES BY DESIGN

DURABLE MOTOR.

- Oil-filled for cooler operation and constant bearing lubrication.
- Single phase PSC motors have no starting switch to fail.
- Recessed impeller reduces radial bearing loads, increases bearing life.

NON-CLOG OPERATION.

- Recessed vortex impeller passes 2" solids.
- Impeller operates completely out of volute passage.
- Passes stringy trash and other solids which conventional semi-open impellers can't.

AVAILABLE WITH AUTOMATIC PIGGY-BACK SWITCH FOR MAINTENANCE-FREE OPERATION.

- Piggy-backed mechanical float switch allows pump to operate automatically or can be unplugged for manual operation.

PRODUCT CAPABILITIES

Capacities To	175 gpm	662 lmp
Heads To	33 ft.	10.1 m
Solids Handling Capacity (dia.)	2 in.	50.8 mm
Liquids Handling	raw, domestic and light commercial sewage	
Intermittent Liquid Temp.	up to 140 F	up to 60 C
Motor	1/2, 3/4, and 1 HP 1750 rpm	
Electrical	1/2 HP, 115V, 1Ø, 60 Hz, PSC 1/2, 3/4, 1 HP, 230V, 1Ø, 60 Hz, PSC 3Ø, 230-460, 575V, 3Ø, 60 Hz	
Acceptable pH Range	6 - 9	
Specific Gravity	.9 - 1.1	
Discharge, NPT (Optional)	2 in.	50.8 mm
	3 in.	76.2 mm
Minimum Sump Diameter		
Simplex	24 in.	609.6 mm
Duplex	30 in.	762.0 mm
ETL Listing	Class 1, Div. 2 Group D Class 2, Div. 2 Group F, G Class 3, Div. 1, 2	

Construction Materials

Motor Housing	cast iron	
Volute Case	cast iron	
Impeller	cast iron, vortex	
Power Cord	Single Seal	Double Seal
	16/3, 20 ft., 1Ø	14/4, 20 ft., 1Ø
	16/4, 20 ft., 3Ø	14/3, 20 ft., 1Ø L/D
	5JOW/SJOWA	16/4, 20 ft., 3Ø L/D
Mechanical Seal (Optional)	single, type 21, carbon and ceramic double tandem, carbon and ceramic	
Pump Shaft and Motor Shaft	416 SST	

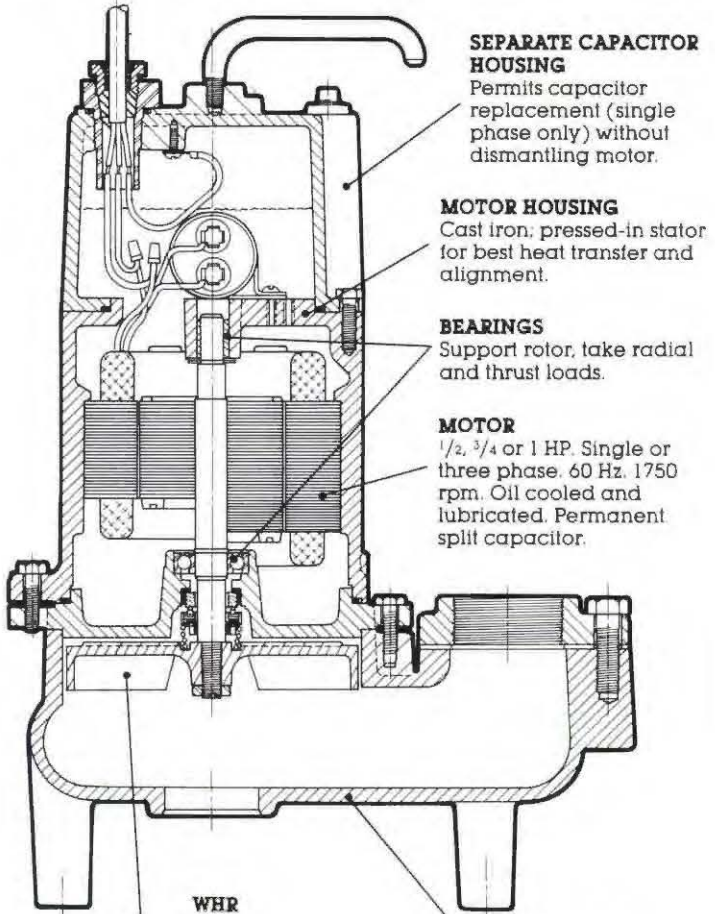
WHERE INNOVATION MEETS TRADITION

Myers®

Pentair Pump Group

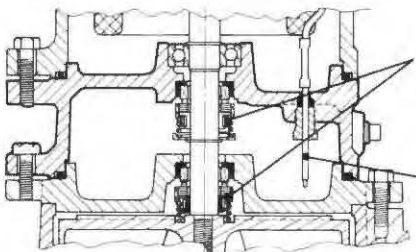
WHR and WHR-DS

2" Solids Handling Sewage Pumps,
Single and Double Seal

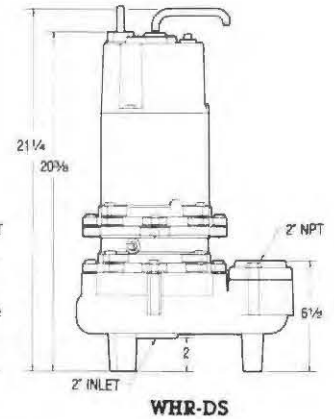
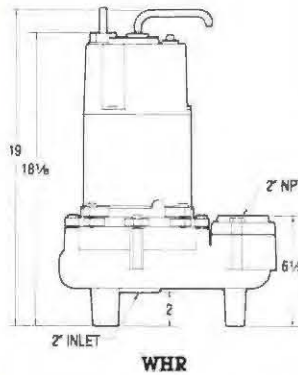
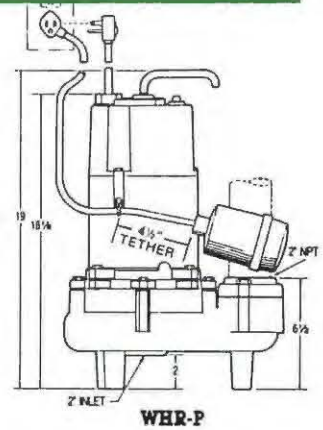
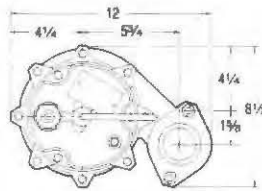


IMPELLER
Recessed completely out of volute passage.

VOLUTE CASE
Cast iron with support legs. Passes 2" solids.



DIMENSIONS



PERFORMANCE CURVE

