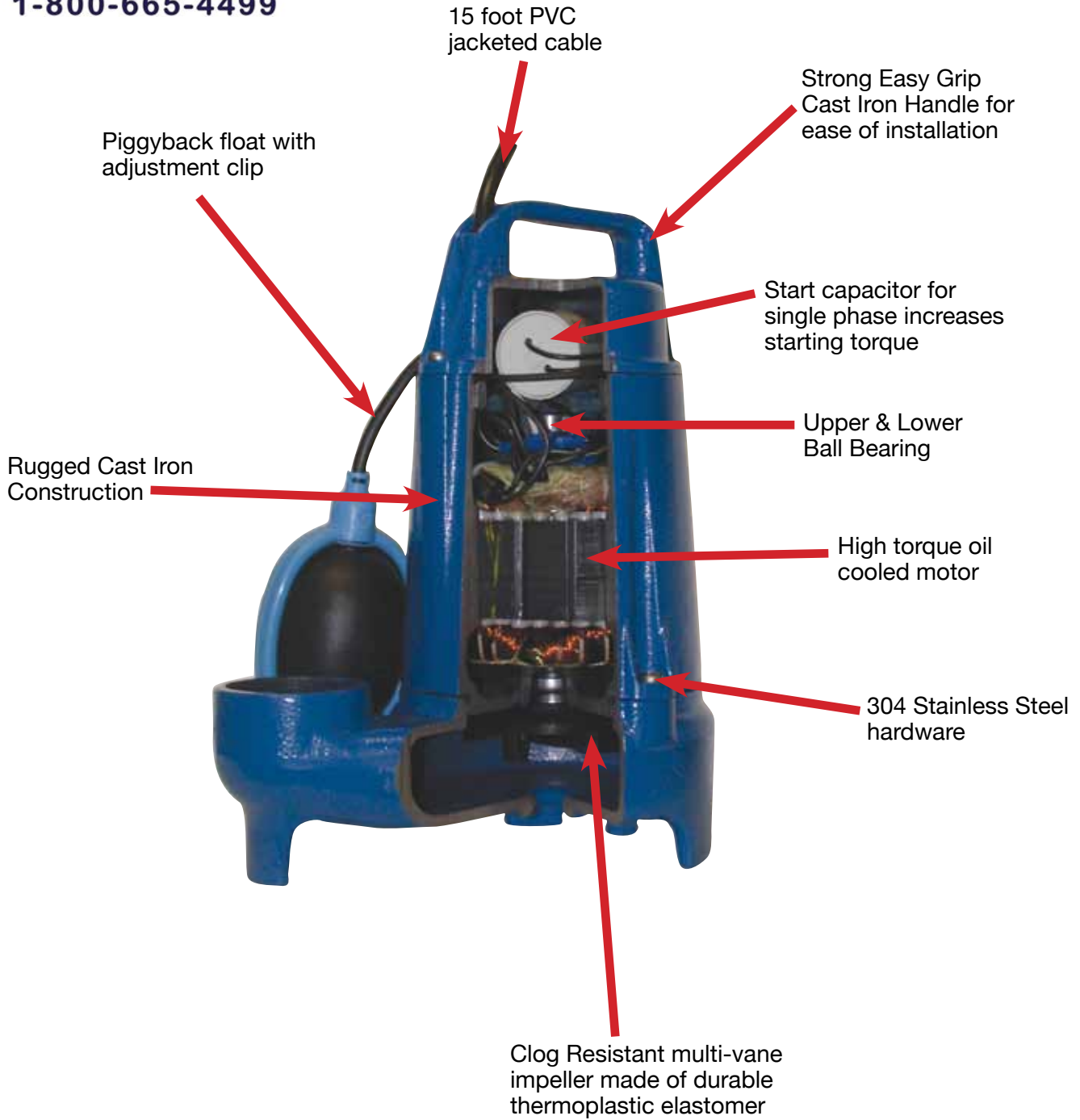




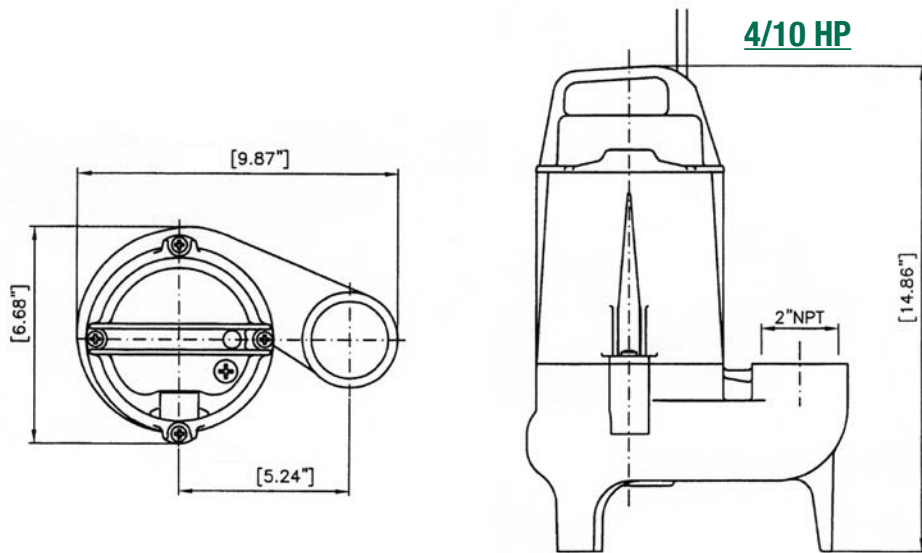
barrplastics.com
1-800-665-4499



SEWAGE EJECTOR

4/10 HP

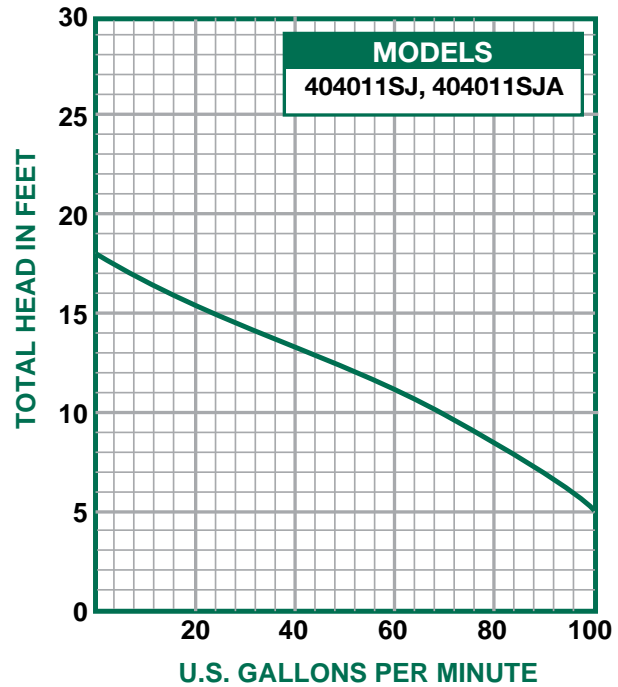
- Rugged, cast iron for residential and light commercial wastewater applications
- High torque capacitor start motors
- Upper & lower ball bearings
- 2" NPT vertical discharge, vortex impellers
- Cast iron housing
- Stainless Steel fasteners and motor shaft
- Oil-filled motors (non-toxic oil)
- Integrated clip for float switch cable
- Available with or without piggyback float switch



SEWAGE EJECTOR SPECIFICATIONS										
Model Number	Voltage	HP	Phase	Solids Size	Hertz	Speed (RPM)	Discharge	Weight	Cable Length(ft.)	Float Included
404011SJ	115	4/10	1	2"	60	1750	2" Vert NPT	35	15	N
404011SJA	115	4/10	1	2"	60	1750	2" Vert NPT	37	15	Y

Materials of Construction	
Motor Housing	Cast Iron ASTM A48 Class 30
Volute	Cast Iron ASTM A48 Class 30
External Hardware	304 Stainless Steel
O-Ring	Buna-N
Motor Shaft	420 Stainless
Oil	Non-toxic white mineral oil (Marcol 52)
Upper Bearing	Single row ball bearing
Lower Bearing	Single row ball bearing
Lower Shaft Seal	Spring loaded rotating carbon face w/ stationary ceramic face
Impeller	Polybutylene Terephthalate (PBT) 30% glass fiber, Vortex

Motor Specifications	
Motor Design	NEMA design B, squirrel cage induction, oil filled (non toxic)
Motor Type	Enclosed submersible
Insulation Class	Class B, rated at 248° F(120° C)
Motor Protection	Integral Bi-Metallic current sensing switch providing over temperature shut down
Service Factor	1.10
Voltage Tolerance	± 10% from nominal



Motor Data, 60 Hz									
Model Number	Phase	Rated Output Power	Volts	Full Load Amps	Locked Rotor Amps	NEMA Code Letter	Power Factor 100% Load	Motor Efficiency 100% Load	Pole/Speed (RPM)
404011SJ	1	0.4 HP	115	6.6	17.7	F	0.92	57	4/1750
404011SJA	1	0.4 HP	115	6.6	17.7	F	0.92	57	4/1750

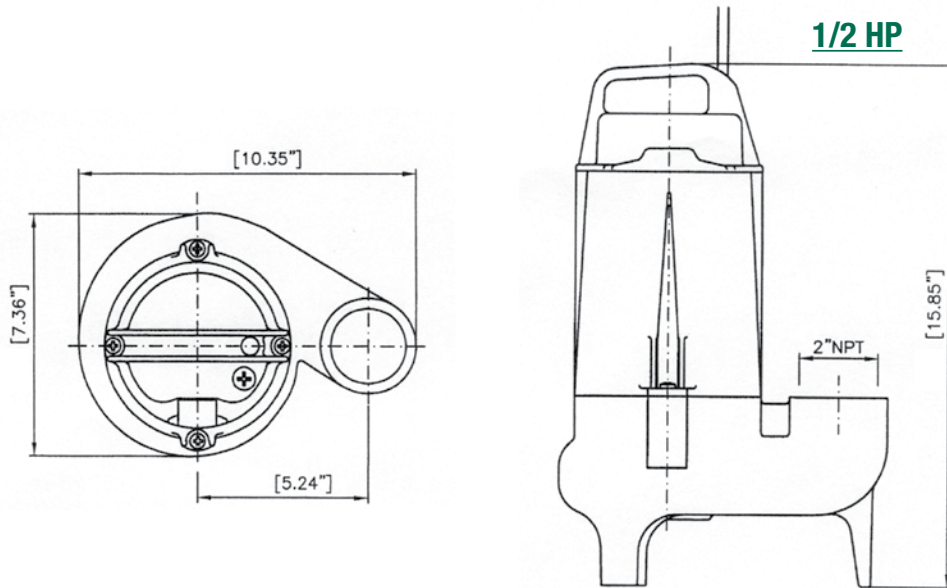
Cable Specifications				
Model Number	Volts	Power Cable	Length (Feet)	Outer Jacket
404011SJ	115 Volt	16/3 SJTOW-A or equiv. w/ 3 prong plug	15	Thermoplastic elastomer
404011SJA	115 Volt	16/3 SJTOW-A or equiv. w/ 3 prong plug	15	Thermoplastic elastomer

- Maximum submergence (feet) = 30
- Maximum temp. of pumped fluid = 104° F(40°C) continuous, =122°F (50°C) intermittent

SEWAGE EJECTOR

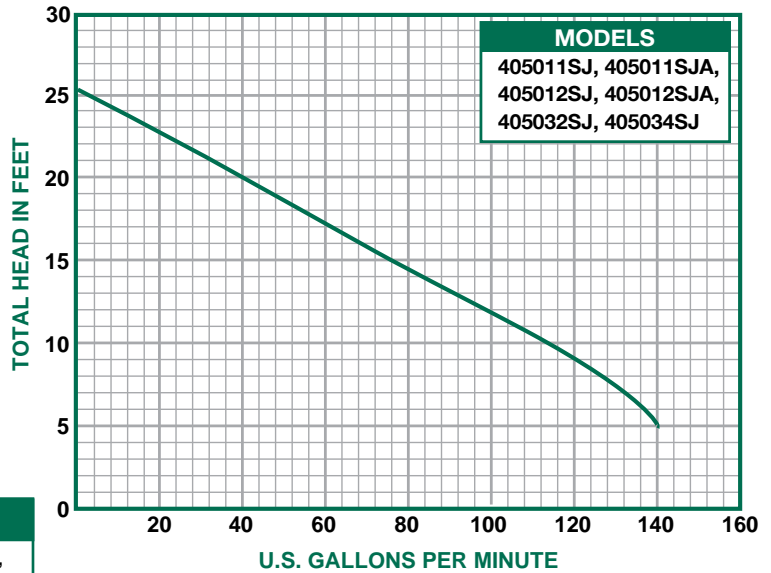
1/2 HP

- Rugged, cast iron for residential and light commercial wastewater applications
- High torque capacitor start motors
- Upper & lower ball bearings
- 2" NPT vertical discharge, vortex impellers
- Cast iron housing
- Stainless Steel fasteners and motor shaft
- Oil-filled motors (non-toxic oil)
- Integrated clip for float switch cable
- Available with or without piggyback float switch



SEWAGE EJECTOR SPECIFICATIONS										
Model Number	Voltage	HP	Phase	Solids Size	Hertz	Speed (RPM)	Discharge	Weight	Cable Length(ft.)	Float Included
405011SJ	115	1/2	1	2"	60	1750	2" Vert NPT	37	15	N
405011SJA	115	1/2	1	2"	60	1750	2" Vert NPT	39	15	Y
405012SJ	230	1/2	1	2"	60	1750	2" Vert NPT	37	15	N
405012SJA	230	1/2	1	2"	60	1750	2" Vert NPT	39	15	Y
405032SJ	230	1/2	3	2"	60	1750	2" Vert NPT	78	15	N
405034SJ	460	1/2	3	2"	60	1750	2" Vert NPT	78	15	N

Materials of Construction	
Motor Housing	Cast Iron ASTM A48 Class 30
Volute	Cast Iron ASTM A48 Class 30
External Hardware	304 Stainless Steel
O-Ring	Buna-N
Motor Shaft	420 Stainless
Oil	Non-toxic white mineral oil (Marcol 52)
Upper Bearing	Single row ball bearing
Lower Bearing	Single row ball bearing
Lower Shaft Seal	Spring loaded rotating carbon face w/ stationary ceramic face
Impeller	Polybutylene Terephthalate (PBT) 30% glass fiber, Vortex



Motor Specifications	
Motor Design	NEMA design B, squirrel cage induction, oil filled (non toxic)
Motor Type	Enclosed submersible
Insulation Class	Class B, rated at 248° F(120° C)
Motor Protection	Integral Bi-Metallic current sensing switch providing over temperature shut down
Service Factor	1.10
Voltage Tolerance	± 10% from nominal

Motor Data, 60 Hz									
Model Number	Phase	Rated Output Power	Volts	Full Load Amps	Locked Rotor Amps	NEMA Code Letter	Power Factor 100% Load	Motor Efficiency 100% Load	Pole/Speed (RPM)
405011SJ	1	0.5	115	10.6	21.4	E	0.87	59	4/1750
405011SJA	1	0.5	115	10.6	21.4	E	0.87	59	4/1750
405012SJ	1	0.5	230	5.3	10.5	E	0.87	59	4/1750
405012SJA	1	0.5	230	5.3	10.5	E	0.87	59	4/1750
405032SJ	3	0.5	208-230	3.5-3.2	22.4-20.3	S	0.87	59	4/1750
405034SJ	3	0.5	460	6.6	10.1	S	0.87	59	4/1750

Cable Specifications				
Model Number	Volts	Power Cable	Length (Feet)	Outer Jacket
405011SJ	115 Volt	16/3 SJTOOW or equiv. w/ 3 prong plug	15	Thermoplastic Elastomer
405011SJA	115 Volt	16/3 SJTOOW or equiv. w/ 3 prong plug	15	Thermoplastic Elastomer
405012SJ	230 Volt	16/3 SJTOOW or equiv. w/ 3 prong plug	15	Thermoplastic Elastomer
405012SJA	230 Volt	16/3 SJTOOW or equiv. w/ 3 prong plug	15	Thermoplastic Elastomer
405032SJ	230 Volt	16/3 SJTOOW or equiv. w/ 3 prong plug	15	Thermoplastic Elastomer
405034SJ	460 Volt	16/3 SJTOOW or equiv. w/ 3 prong plug	15	Thermoplastic Elastomer

- Maximum submergence (feet) = 30
- Maximum temp. of pumped fluid = 104° F(40°C) continuous, =122°F (50°C) intermittent