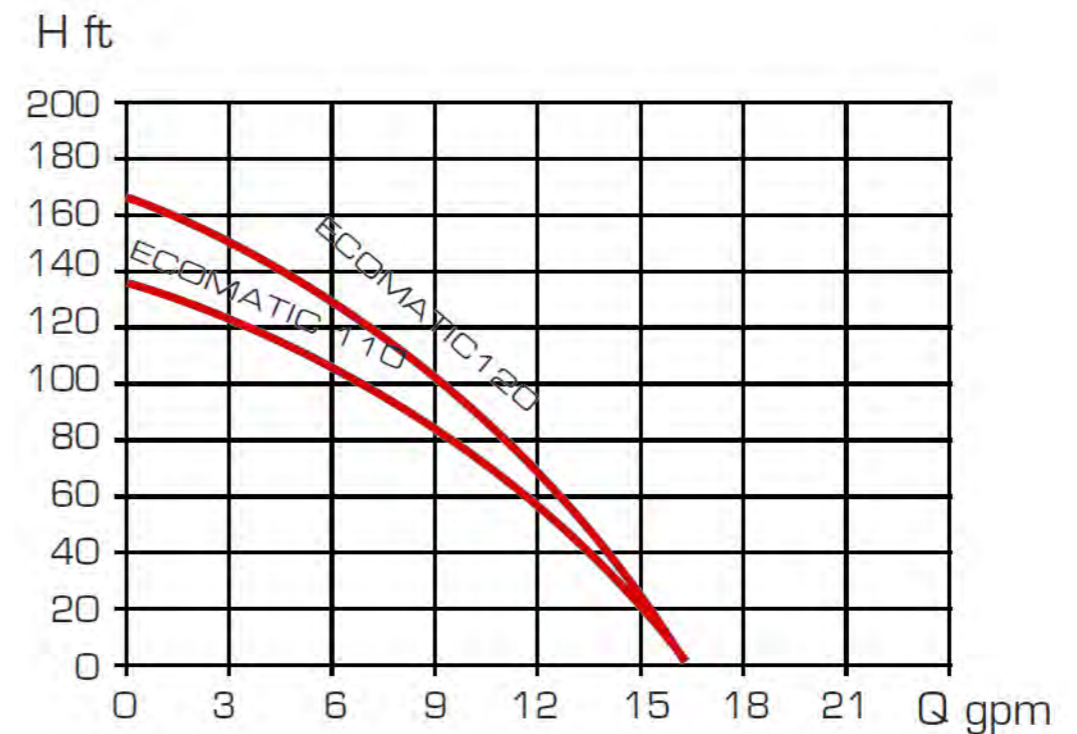




### TECHNICAL DATA

Model	HP	Watts	Volts	Frequency	Amps	Max suction depth	Max Flow	Max Head	Suction	Dis-charge
ECOMATIC 110	1/2	800	115	60 Hz	8	29 ft	16 gpm	135 ft	1" NPT	1" NPT
ECOMATIC 120 F	3/4	1000	115	60 Hz	10		16 gpm	164 ft		

### TECHNICAL DATA



### ECOMATIC BOOSTER SETS

#### Applications

High reliable electromechanical booster sets for supplying water for domestic applications. Built with a gauge and a fully adjustable pressure switch that will automatically Start and Stop the pump when taps are opened or closed. This type of system is still the most common type of system used for pressure boosting

- \* Pressure Boosting
- \* Residential Homes
- \* Farming Applications
- \* Residential Irrigation
- \* Garden Irrigation Drip/Low Flow
- \* Hydroponics
- \* Rain Water Harvesting
- \* Water Supply from Shallow Wells

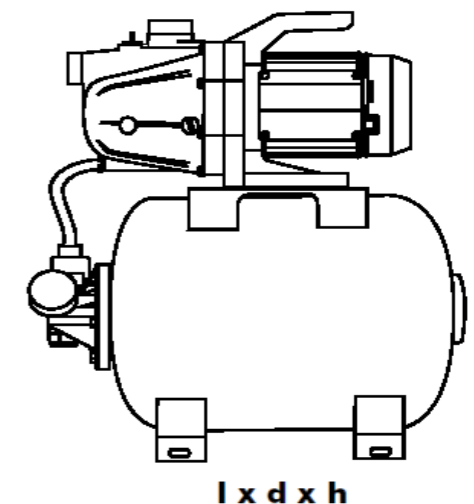
### TECHNICAL DATA

#### CONSTRUCTION

- Anti-corrosive and rust-proof materials
- Motor with thermic overload protection
- Wear resistant shaft and impeller
- Excellent cooling of the motor that enables the pump to operate even when it is partially submerged
- Automatic version with start/ stop float switch and Manual version
- Supplied with power cable with plug and self-sealing fitting

### DIMENSIONS

Model	ECOMATIC 110	ECOMATIC 120 F
LENGTH	10.4"	11.4"
DEPTH	10.4"	11.4"
WIDTH	5.5"	5.5"
WEIGHT	4.8 lbs	6 lbs
PALLET QTY	28	28
TANK SIZE	4 Gallon	4 Gallon
MAX PRESS	100 psi	100 psi
FILTER Incl.	No	YES



# ECOMATIC R 90



## Applications

High reliable electromechanical booster sets for supplying waterfor domestic applications.

Built with a guage and afully adjustable pressure switch that will automatically Start and Stop the pump when taps are opened or closed .This type of system is still the most common type of system used for pressure boosting

- \* Pressure Boosting
- \* Residential Homes
- \* Farming Applications
- \* Resedential Irrigation
- \* Garden Irrigation Drip/Low Flow
- \* Hydroponics
- \* Rain Water Harvesting
- \* Water Supply from Shallow Wells



## Technical data

Power 600watt (1/3Hp)  
Electric supply 115v 60Hz (5.3amps)  
Max Flow 10.4 gpm  
Max Head 112 ft

