



barrplastics.com  
1-800-665-4499

**LEADER**<sup>®</sup>  
DWT GROUP



**BOOSTER PUMPS**  
**ECOTRONIC**  
**INOXTRONIC**  
**ECOMATIC**



# ECOTRONIC

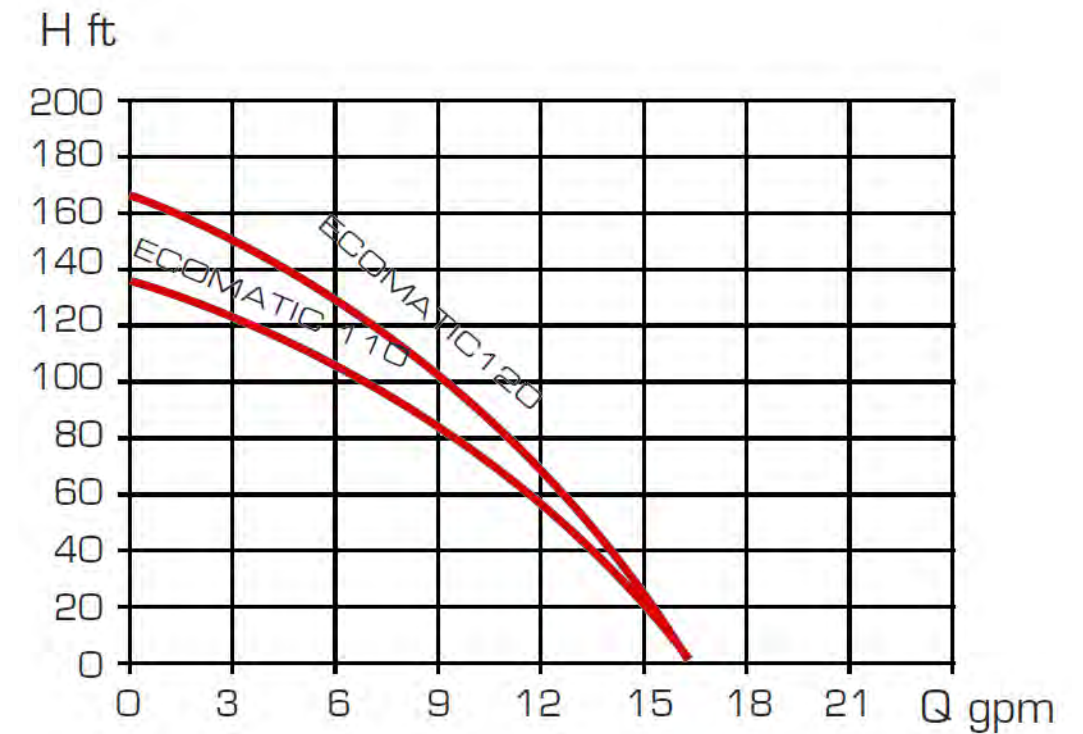


# ECOMATIC HYDRAULIC DATA

## TECHNICAL DATA

Model	HP	Watts	Volts	Frequency	Amps	Max suction depth	Max Flow	Max Head	Suction	Dis-charge
ECOMATIC 110	1/2	800	115	60 Hz	8	29 ft	16 gpm	135 ft	1" NPT	1" NPT
ECOMATIC 120 F	3/4	1000	115	60 Hz	10		16 gpm	164 ft		

## TECHNICAL DATA



## ECOTRONIC BOOSTER SETS

### Applications

High reliable electronic booster sets for supplying water for domestic applications. Built with an electronic safety device that automatically Start and Stop the pump when taps are opened or closed and also protects the pump from dry-running which has a Built-in non return valve. These type of systems give a Constant pressure at a constant flow rate and so are excelent for domestic irrigation systems

- \* Pressure Boosting
- \* Residential Homes
- \* Farming Applications
- \* Resedential Irrigation
- \* Garden Irrigation Drip/Low Flow
- \* Hydroponics
- \* Rain Water Harvesting
- \* Water Supply from Shallow Wells

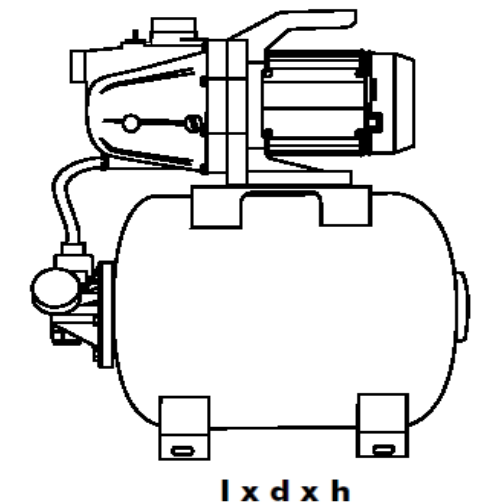
## TECHNICAL DATA

### CONSTRUCTION

- Plug & Play
- Anti-corrosive and rust-proof materials
- Motor with thermic overload protection
- Wear resistant shaft and impeller
- Equipped with an electronic safety device that protects the pump from dry-running
- Built-in non return valve
- Designed to automatically Start and Stop the pump when taps are opened or closed
- Automatic and manual reset
- Constant pressure and flow rate
- Supplied with power cable with plug
- The "F" version is supplied with an inline filter

## DIMENSIONS

Model	ECOMATIC 110	ECOMATIC 120 F
LENGTH	10.4"	11.4"
DEPTH	10.4"	11.4"
WIDTH	5.5"	5.5"
WEIGHT	4.8 lbs	6 lbs
PALLET QTY	28	28
TANK SIZE	4 Gallon	4 Gallon
MAX PRESS	100 psi	100 psi
FILTER Incl.	No	YES





# ECOMATIC

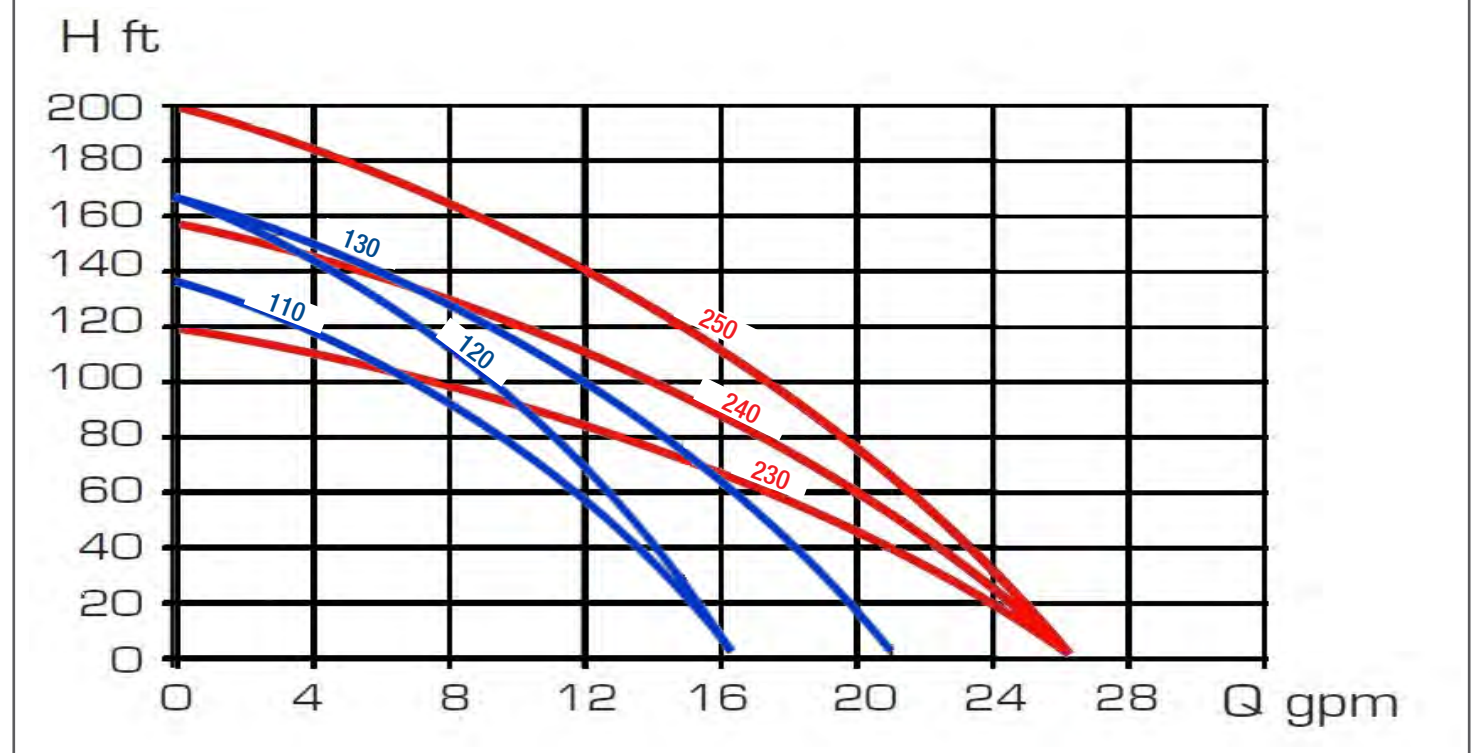
# ECOTRONIC HYDRAULIC DATA



### TECHNICAL DATA

Model	HP	Watts	Volts	Frequency	Amps	Max suction Depth	Max Flow	Max Head	Suction	Discharge
ECOTRONIC 110	1/2	800	115	60 Hz	8	29 ft	16 gpm	138 ft	1" NPT	1" NPT
ECOTRONIC 120 F	3/4	1000	115	60 Hz	10		16 gpm	164 ft		
ECOTRONIC 130	1	1250	115	60 Hz	13		21 gpm	164 ft		
ECOTRONIC 230	1/2	800	115	60 Hz	7.5	29 ft	27 gpm	118 ft	1" NPT	1" NPT
ECOTRONIC 240 F	3/4	1000	115	60 Hz	10		27 gpm	157 ft		
ECOTRONIC 250	1	1250	115	60 Hz	13		27 gpm	197 ft		

### TECHNICAL DATA



### ECOMATIC BOOSTER SETS

**Applications**

High reliable electromechanical booster sets for supplying water for domestic applications. Built with a gauge and a fully adjustable pressure switch that will automatically Start and Stop the pump when taps are opened or closed. This type of system is still the most common type of system used for pressure boosting

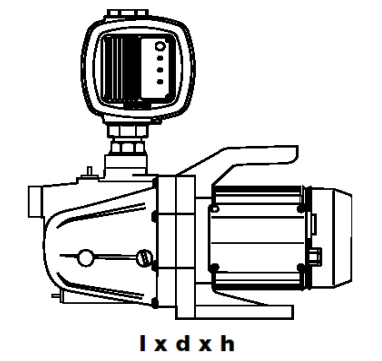
- \* Pressure Boosting
- \* Residential Homes
- \* Farming Applications
- \* Residential Irrigation
- \* Garden Irrigation Drip/Low Flow
- \* Hydroponics
- \* Rain Water Harvesting
- \* Water Supply from Shallow Wells

### TECHNICAL DATA

- CONSTRUCTION**
- Anti-corrosive and rust-proof materials
  - Motor with thermic overload protection
  - Wear resistant shaft and impeller
  - Excellent cooling of the motor that enables the pump to operate even when it is partially submerged
  - Automatic version with start/ stop float switch and Manual version
  - Supplied with power cable with plug and self-sealing fitting

### DIMENSIONS

Model	Length	Depth	Height	Weight	Pallet Qty
ECOTRONIC 110	16.3"	9.3"	15"	19 lbs	28
ECOTRONIC 120 F	16.3"	9.3"	15"	24 lbs	
ECOTRONIC 130	16.3"	9.3"	15"	27 lbs	
ECOTRONIC 230	14.6"	9.1"	15.2"	21 lbs	
ECOTRONIC 240 F	15.4"	9.1"	15.2"	26 lbs	
ECOTRONIC 250	16.5"	9.1"	15.2"	29 lbs	





# INOXTRONIC



## INOXTRONIC BOOSTER SETS

### Applications

High reliable electronic booster sets for supplying water for domestic applications.

Built with an electronic safety device that automatically Start and Stop the pump when taps are opened or closed and also protects the pump from dry-running which has a Built-in non return valve

These type of systems give a Constant pressure at a constant flow rate and so are excelent for domestic irrigation systems

- \* Pressure Boosting
- \* Residential Homes
- \* Farming Applications
- \* Resedential Irrigation
- \* Garden Irrigation Drip/Low Flow
- \* Hydroponics
- \* Rain Water Harvesting
- \* Water Supply from Shallow Wells

## TECHNICAL DATA

### CONSTRUCTION

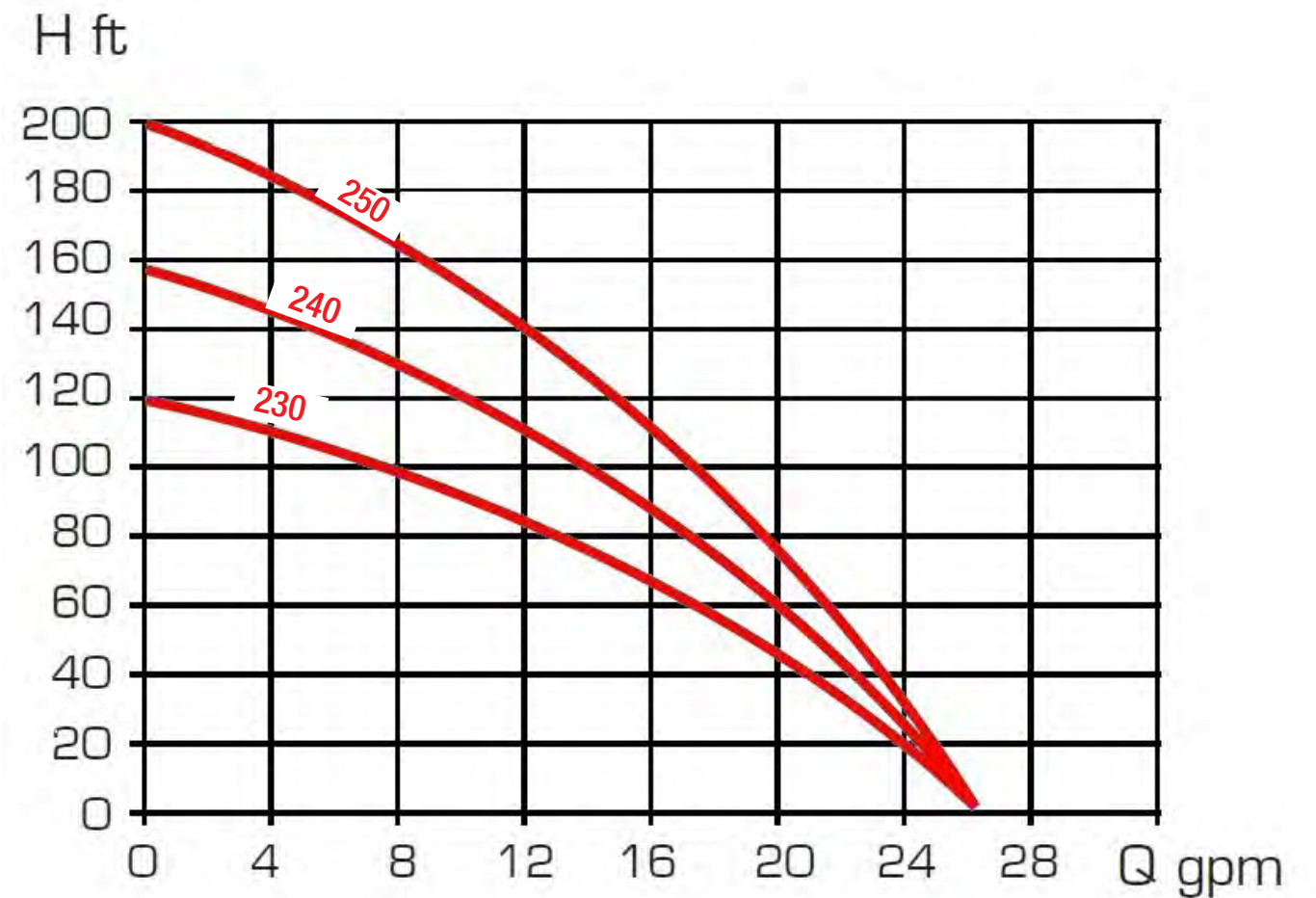
- Plug & Play
- Anti-corrosive and rust-proof materials
- Motor with thermic overload protection
- Wear resistant shaft and impeller
- Equipped with an electronic safety device that protects the pump from dry-running
- Built-in non return valve
- Designed to automatically Start and Stop the pump when taps are opened or closed
- Automatic and manual reset
- Constant pressure and flow rate
- Supplied with power cable with plug

# INOXTRONIC HYDRAULIC DATA

## TECHNICAL DATA

Model	HP	Watts	Volts	Frequency	Amps	Min suction Depth	Max Flow	Max Head	Suction	Dis-charge
INOXTRONIC 230	1/2	800	115	60 Hz	7.5	26 ft	27 gpm	120 ft	1"	1"
INOXTRONIC 240	3/4	1000	115	60 Hz	10		27 gpm	158 ft		
INOXTRONIC 250	1	1250	115	60 Hz	13		27 gpm	200 ft		

## TECHNICAL DATA



## DIMENSIONS

Model	Lenght	Depth	Height	Weight	Pallet Qty
INOXTRONIC 230	14.6"	9.1"	15.2"	21 lbs	28
INOXTRONIC 240	15.4"	9.1"	15.2"	25 lbs	
INOXTRONIC 250	16.5"	9.1"	15.2"	29 lbs	

