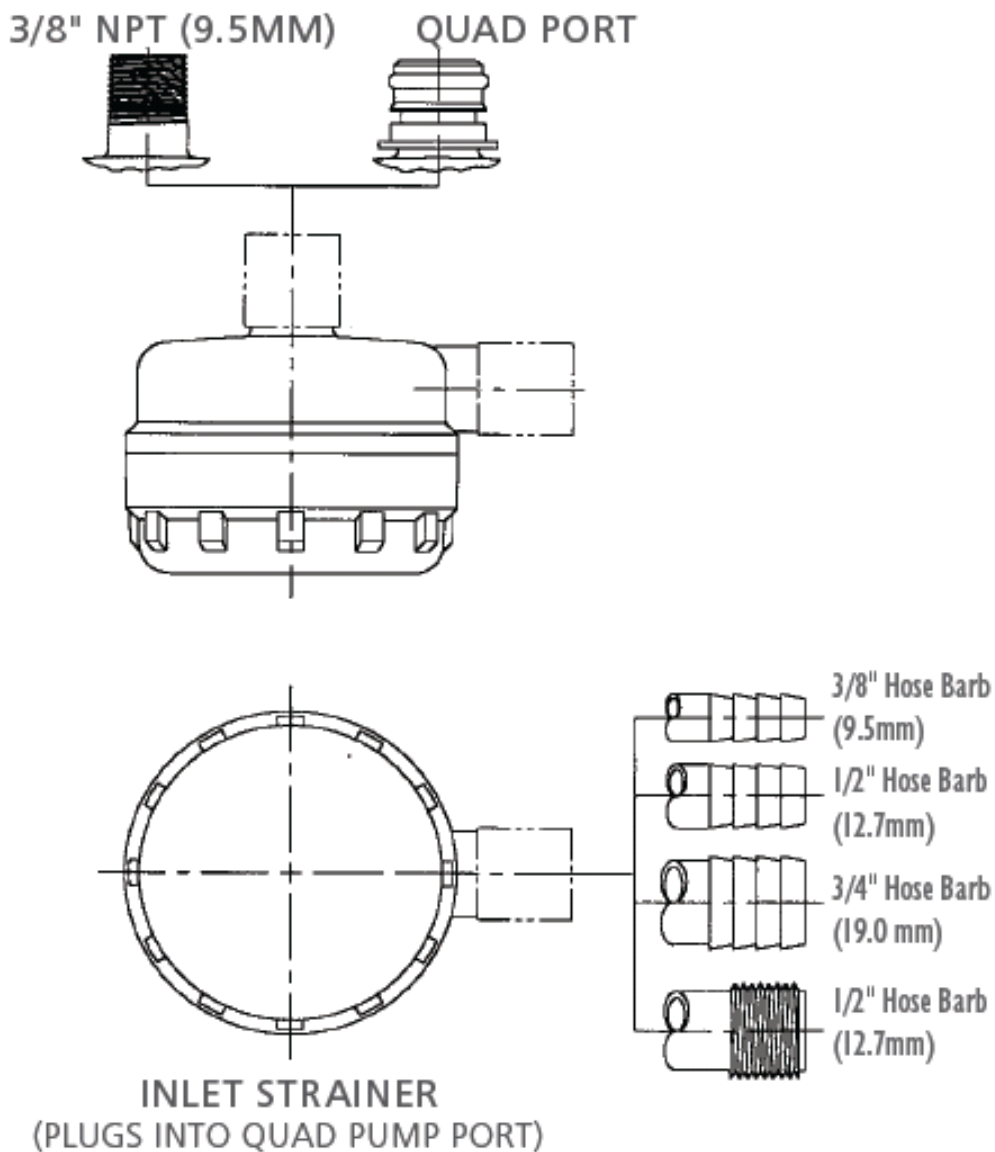




## Inlet Strainer for Diaphragm Pumps



### Features:

Strainer In-line 3/4" (19 mm) HB x 3/4" (19 mm) HB SS 40M PETG VIT

*This document contains proprietary information. It is intended solely for the information and use of potential clients involved or to be involved in a transaction with BARR Plastics. Such proprietary information may not be used, reproduced, or disclosed to any other parties for any other purpose without the expressed written permission.*