

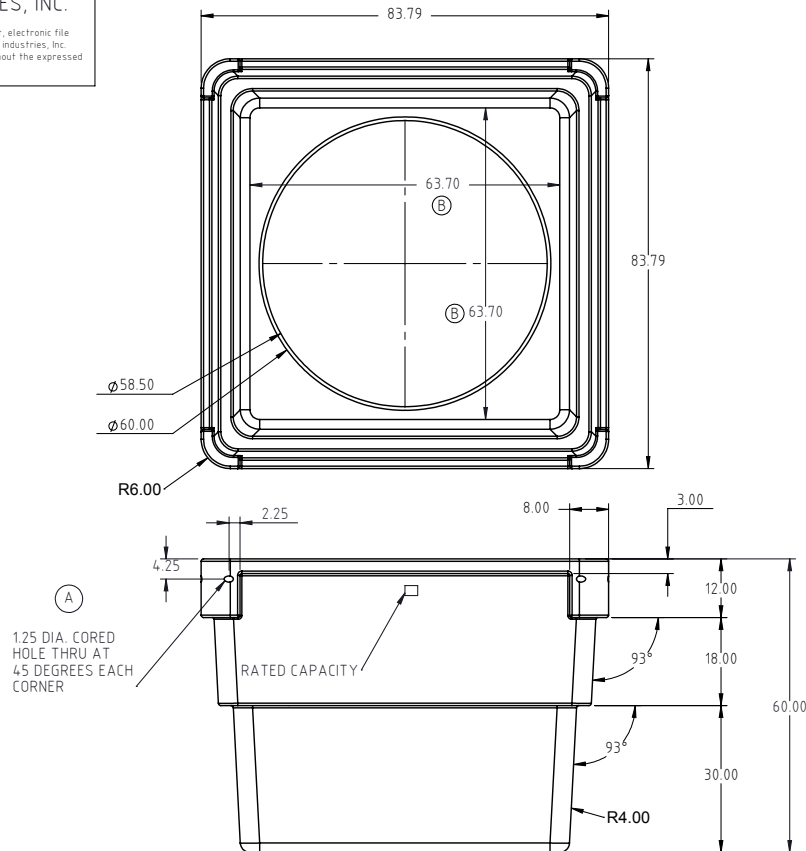


© DEN HARTOG INDUSTRIES, INC.


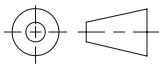
Copyright. All information furnished within this document, electronic file or design correspondence is the property of Den Hartog Industries, Inc. and shall not be used, disclosed to others or copied without the expressed written consent of Den Hartog Industries, Inc.

OP1325-RT

B



STACK 5 HIGH UPSIDE DOWN FOR STORAGE

B		INSIDE BASE DIMENSIONS ADDED	ADH 8/3/09	1902	DRAWN / DATE	ADH 6/25/08	MATERIAL	 <p><b>Den Hartog</b> INDUSTRIES, INC. Ace Roto-Mold Injection Molding Blow Molding Sowjoy 4010 HOSPERS DRIVE S. BOX 425, HOSPERS, IOWA 51238-0421</p>
A		ADDED CORNER HOLES	REH 1/5/09	1775	APPRD. / DATE	REH 7/1/08	10538 POWDER	
REV	DESCRIPTION		BY / DATE	CCN				
ALL DIMENSIONS ARE IN DECIMAL INCHES TOLERANCES UNLESS OTHERWISE SPECIFIED POLYETHYLENE $\pm 1\%$ @ 68°F			THRO ANGLE PROJECTION ANSI 14.5M 		SHOT WEIGHT:	375 LB.	NOTES: 1. NATURAL COLOR STD. 2. .425 WALL THICKNESS	
METAL DECIMAL $\pm .125"$ FRACTION $\pm 1/4"$ ANGLE $\pm 1^\circ$					SHIPPING WEIGHT:	360 LB.		
					FINISH:	BEAD BLAST		
					DESCRIPTION	1325 GALLON CONTAINMENT TANK		
					SCALE	N.S.	PART NO.	OP1325-RT