

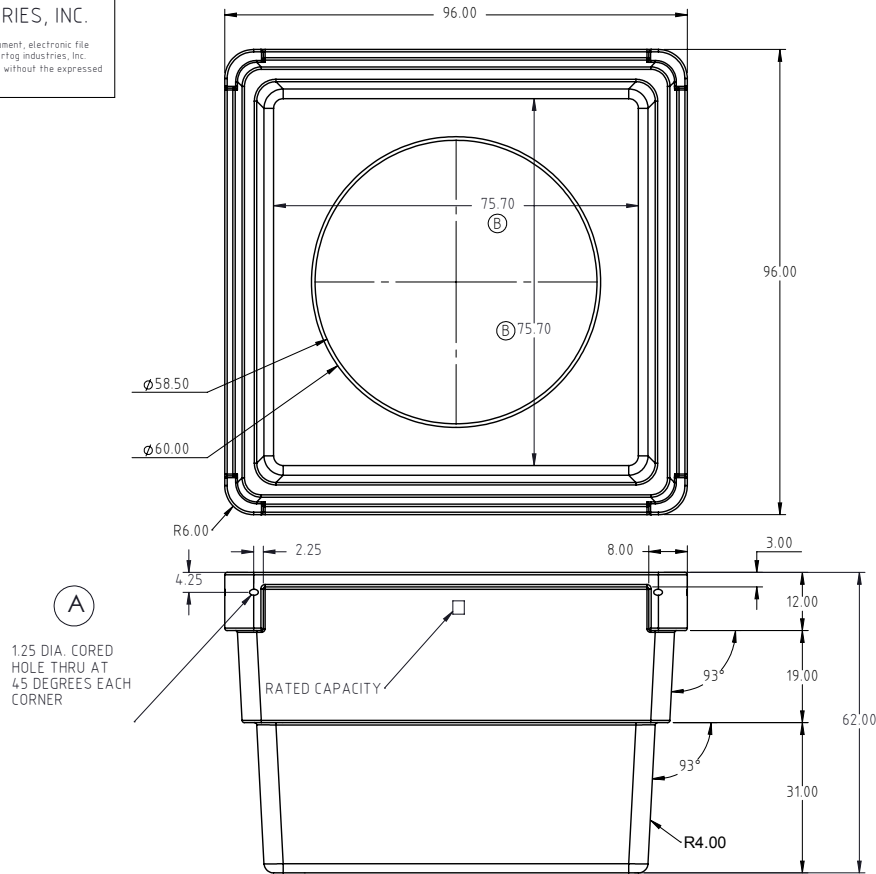


© DEN HARTOG INDUSTRIES, INC.

Copyright. All information furnished within this document, electronic file or design correspondence is the property of Den Hartog Industries, Inc. and shall not be used, disclosed to others or copied without the expressed written consent of Den Hartog Industries, Inc.


OP1825-RT

B



1.25 DIA. CORED HOLE THRU AT 45 DEGREES EACH CORNER

STACK 3 HIGH UPSIDE DOWN FOR STORAGE

B		INSIDE BASE DIMENSIONS ADDED	ADH 8/3/09	1902	DRAWN / DATE	ADH 6/25/08	MATERIAL	 <p>Den Hartog INDUSTRIES, INC. Ace Roto-Mold Injection Molding Blow Molding Sowjoy 4010 HOSPERS DRIVE S. BOX 425, HOSPERS, IOWA 51238-0421</p>
A		ADDED CORNER HOLE	REH 1/5/09	1775	APPROD / DATE	REH 7/1/08	10538 POWDER	
REV	DESCRIPTION		BY / DATE	CCN	SHOT WEIGHT: 540 LB.		NOTES: 1. NATURAL COLOR STD. 2. 500 WALL THICKNESS	DESCRIPTION
ALL DIMENSIONS ARE IN DECIMAL INCHES TOLERANCES UNLESS OTHERWISE SPECIFIED		THIRD ANGLE PROJECTION ANSI 14.5M		SHIPPING WEIGHT: 520 LB.		1825 GALLON CONTAINMENT TANK		
POLYETHYLENE		METAL		FINISH: BEAD BLAST		SCALE		N.S.
±1% @ 68°F		DECIMAL ± .125" FRACTION ± 1/4" ANGLE ± 1°				PART NO.		OP1825-RT