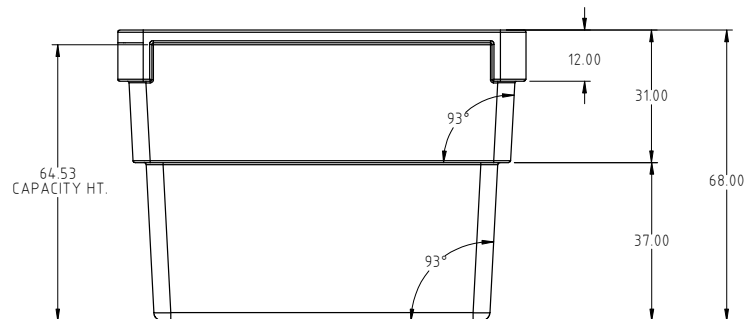
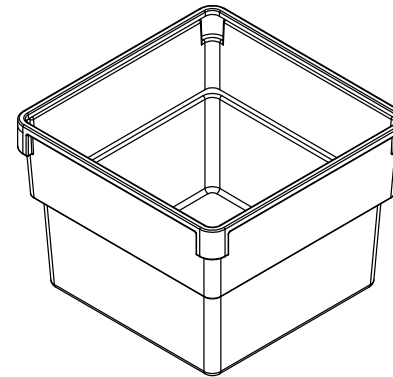
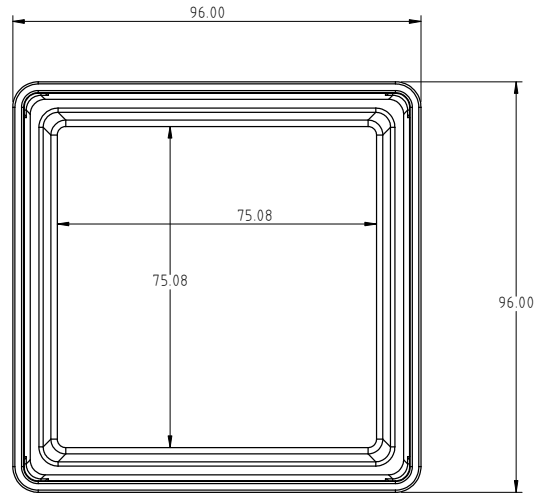




© DEN HARTOG INDUSTRIES, INC.

Copyright: All information furnished within this document, electronic file or design correspondence is the property of Den Hartog Industries, Inc. and shall not be used, disclosed to others or copied without the expressed written consent of Den Hartog Industries, Inc.

OP2000-RT



STACK 3 HIGH UPSIDE DOWN FOR STORAGE

REV		DESCRIPTION	BY / DATE	CCN	DRAWN / DATE REH // 6/15/10	MATERIAL 10538 POWDER	 <b>Den Hartog</b> INDUSTRIES, INC. <small>Ace Roto-Mold Injection Molding Blow Molding Sowjoy</small> 4010 HOSPERS DRIVE S. BOX 425, HOSPERS, IOWA 51238-0421	
APPRD / DATE DHJ 12/16/10		THIRD ANGLE PROJECTION ANSI 14.5M		SHOT WEIGHT: 632 LBS.	NOTES: 1. NATURAL COLOR STD. 2. NOMINAL WALL = .500	DESCRIPTION 2000 GALLON CONTAINMENT TANK		
ALL DIMENSIONS ARE IN DECIMAL INCHES TOLERANCES UNLESS OTHERWISE SPECIFIED POLYETHYLENE $\pm 1\%$ @ 68°F		METAL DECIMAL $\pm .125''$ FRACTION $\pm 1/4''$ ANGLE $\pm 1^\circ$			SHIPPING WEIGHT: 570 LBS.	FINISH: BEAD BLAST	SCALE N.S.	PART NO. OP2000-RT