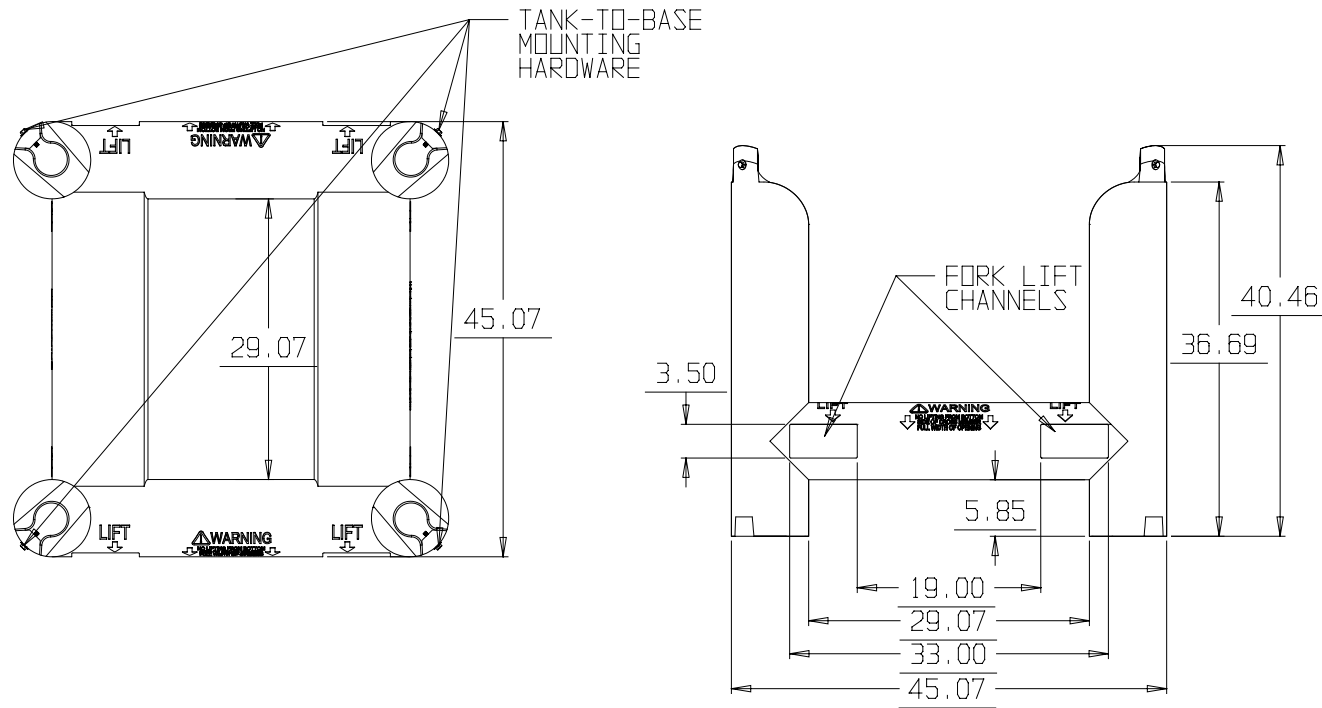




SNYDER INDUSTRIES INC.



TANK-TO-BASE
MOUNTING
HARDWARE

FORK LIFT
CHANNELS

DRY BIN BASE - 45° SLOPE

(all dimensions in inches)

PART # BASE: 6390000N--L

REF#: 00000

11/12/04