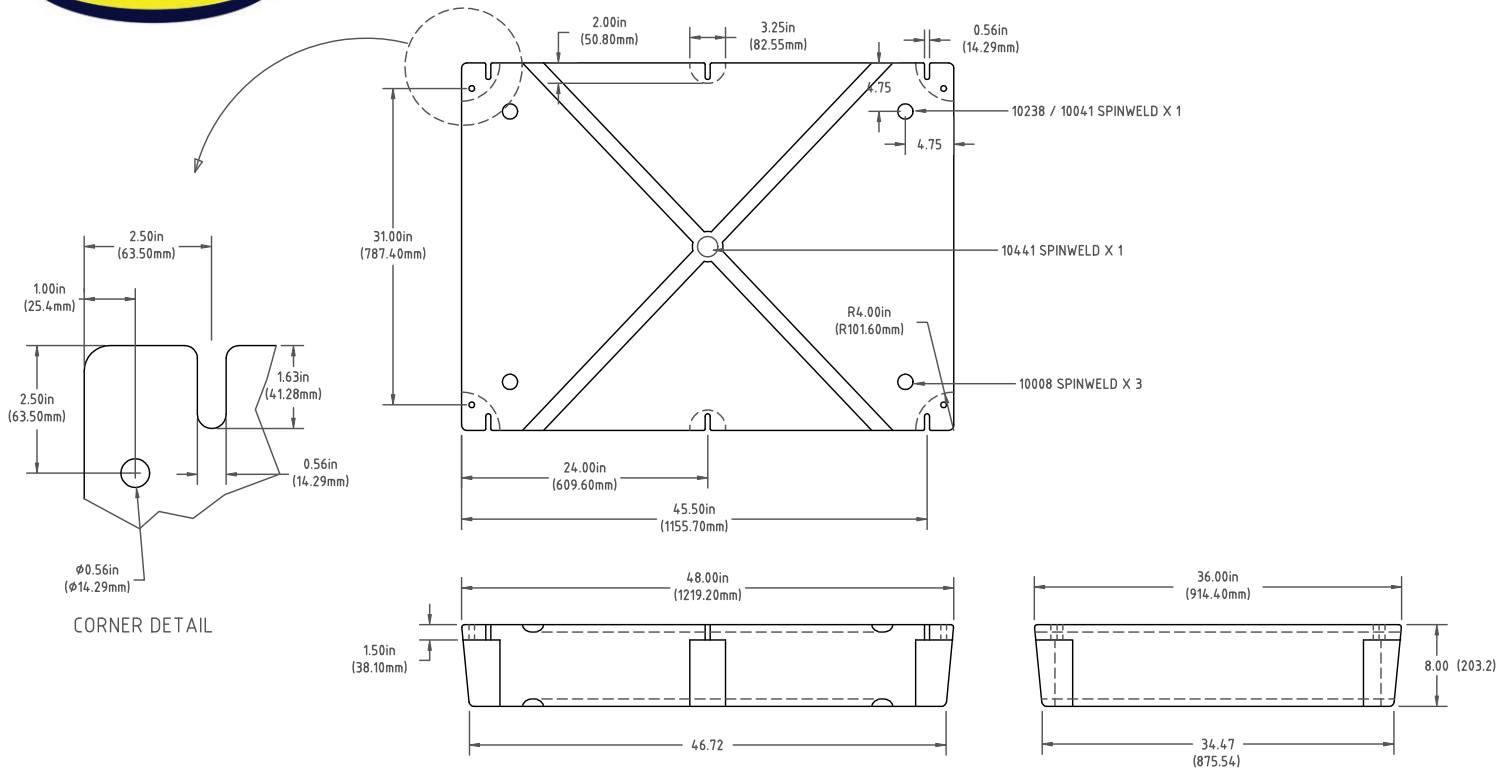




3648-08



NOTE: BUOYANCY IS 468 LBS (212.28 KG.)

				DRAWN / DATE DHJ 2/23/11	MATERIAL POLYETHYLENE 0.150in(3.81mm) NOM. WALL	<a href="http://barrplastics.com">barrplastics.com</a>   1.800.665.4499	
				APPRD. / DATE REH 3/2/11			
REV	DESCRIPTION	BY / DATE	CCN	SHOT WEIGHT: AF 29LBS.	NOTES: 1. BLACK COLOR	DESCRIPTION 36 x 48 x 8 DOCK FLOAT	
ALL DIMENSIONS ARE IN DECIMAL INCHES TOLERANCES UNLESS OTHERWISE SPECIFIED POLYETHYLENE $\pm 1\%$ @ 68° F		THIRD ANGLE PROJECTION ANSI 14.5M		SHIPPING WEIGHT: FF 36LBS.		SCALE N.S.	PART NO. 3648-08