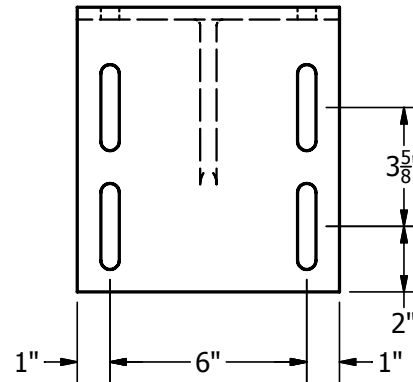
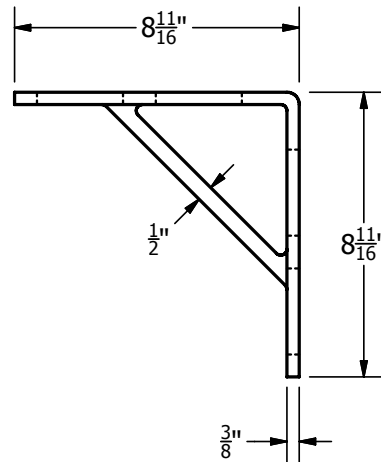
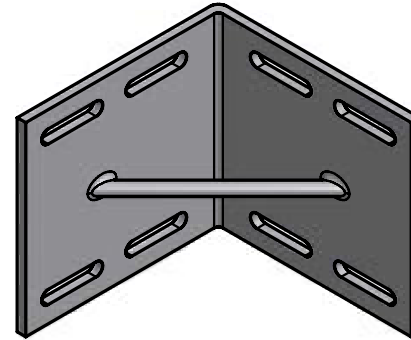
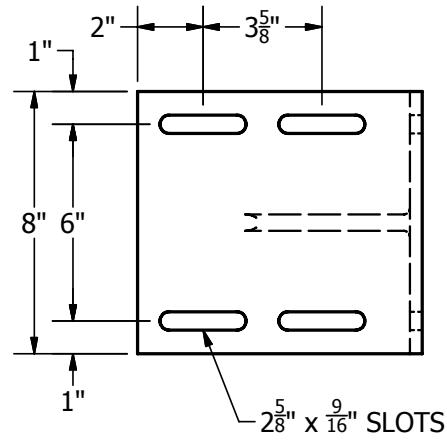




MATERIAL LIST (EST.)	
MATERIAL	LBS
Steel, Mild	13.66



		Part No:	Scale:
		H-IC-HD	1/5
		Date:	Drawn By:
		Dec-29-09 3:38pm	D .OTTO
		Approved By:	J. MERIWETHER