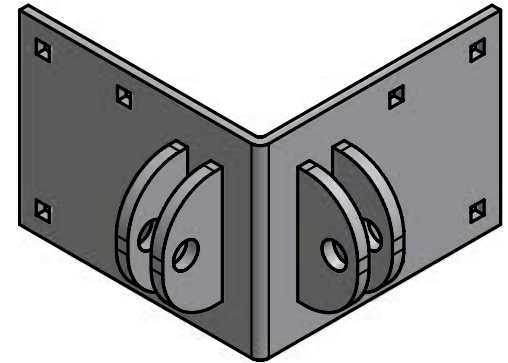


| MATERIAL LIST (EST.) |       |
|----------------------|-------|
| MATERIAL             | LBS   |
| Steel, Mild          | 17.04 |
| Steel, Mild          | 2.79  |
| Steel, Mild          | 2.79  |



|           |                  |              |               |
|-----------|------------------|--------------|---------------|
| Title:    | H-OCFF-HD        | Scale:       | 1/5           |
| Drawn By: | D .OTTO          | Approved By: | J. MERIWETHER |
| Date:     | Dec-29-09 2:24pm |              |               |