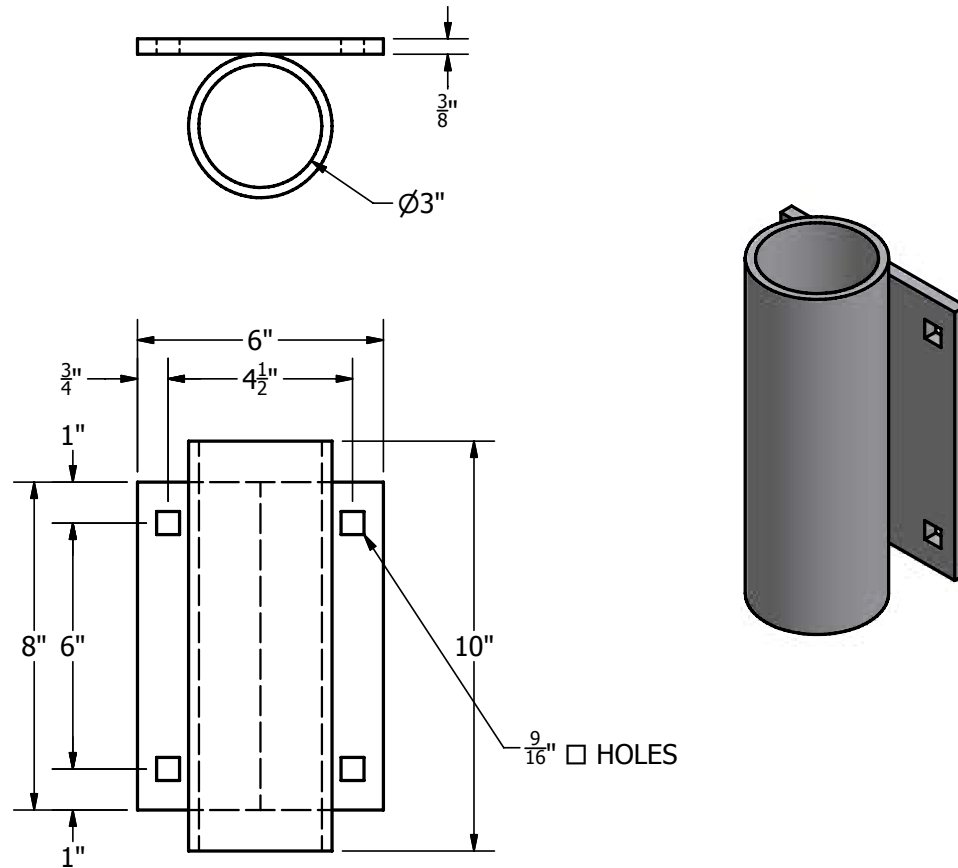




MATERIAL LIST (EST.)	
MATERIAL	LBS
Steel, Mild	12.22



	Part No:	Scale:
	H-P3-HD	1/4
	Drawn By:	D .OTTO
	Date:	Approved By:
	Dec-29-09 2:30pm	J. MERIWETHER