



Dock Edging

Product Configuration

Item 5006  Commercial Dock Edging – 10'

Product Specifications

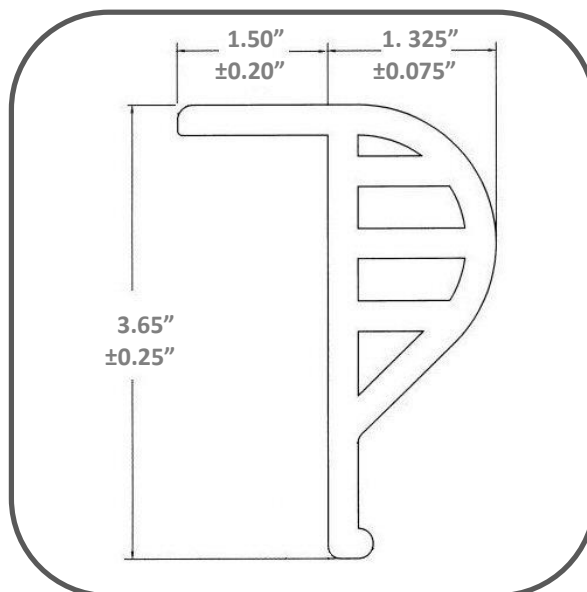
Material: Polyvinyl chloride extrusion compound

Color: Black or White

Weight: 16.00 lbs. per 10' length (nominal)

Packaging Specifications

Edging is shipped in straight lengths.
6 pieces per box, 20 boxes per crate.



Physical Property Testing

Commercial Dock Edging products pass the following:

| | | |
|---------------------------|---------------------------------|-------------------|
| Specific Gravity | ASTM D-792 | 1.4 Nominal Value |
| Durometer | ASTM D-2240 | 85 Nominal Value |
| Accelerated UV Weathering | ASTM D-4329 at 50° C | No Failure |
| Fungus Growth | ASTM G-21 | No Failure |
| Cold Flexibility | 1 Inch OD mandrel bend at 29° C | No Failure |
| Flammability | FMVSS302 | Passed |
| Tensile Strength | ASTM D624 Die C | 12.4 Minimum |
| Elongation % | ASTM D624 Die C | 200% Minimum |
| Tear Strength | ASTM D624 Die C | 44 Minimum |