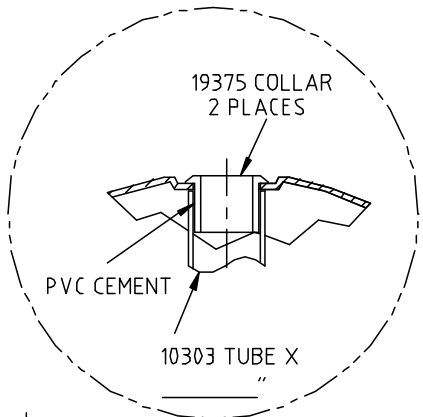
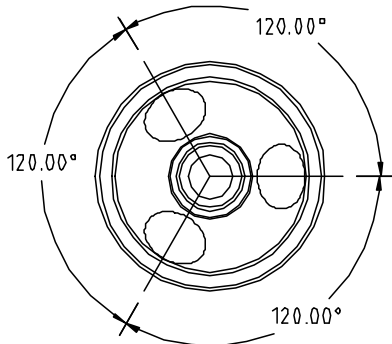


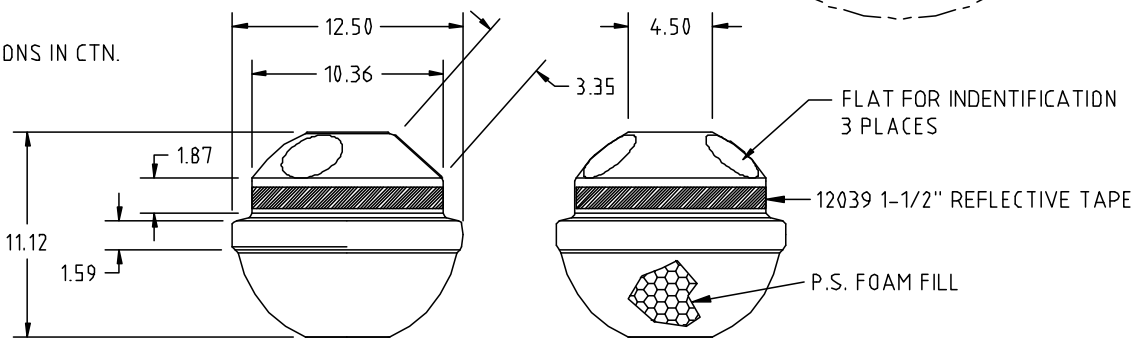


FFMB-1212



NOTES:

1. BUOYANCY = 28 LB.
2. WEIGHT = 4 LB.
3. SHIP IN CTN. 12051
4. ADD 19395 INSTRUCTIONS IN CTN.



			DRAWN / DATE REH/04/14/05	SHOT WEIGHT: 2.1 LB. 1.125 WALL	BARR PLASTICS DOCK ACCESSORIES	
			APPRD. / DATE REH/14/14/15			
REV	DESCRIPTION	DATE	THIRD ANGLE PROJECTION ANSI 14.8M	MATERIAL: 1094B WHITE P.E.	CLIENT / DESCRIPTION BUOY, 12" DIA.	
ALL DIMENSIONS ARE IN DECIMAL INCHES TOLERANCES UNLESS OTHERWISE SPECIFIED ± .5% @ 68° F				SCALE N.S.	PART NO. FFMB-1212	

This document contains proprietary information. It is intended solely for the information and use of potential clients involved or to be involved in a transaction with BARR Plastics. Such proprietary information may not be used, reproduced, or disclosed to any other parties for any other purpose without the expressed written permission.