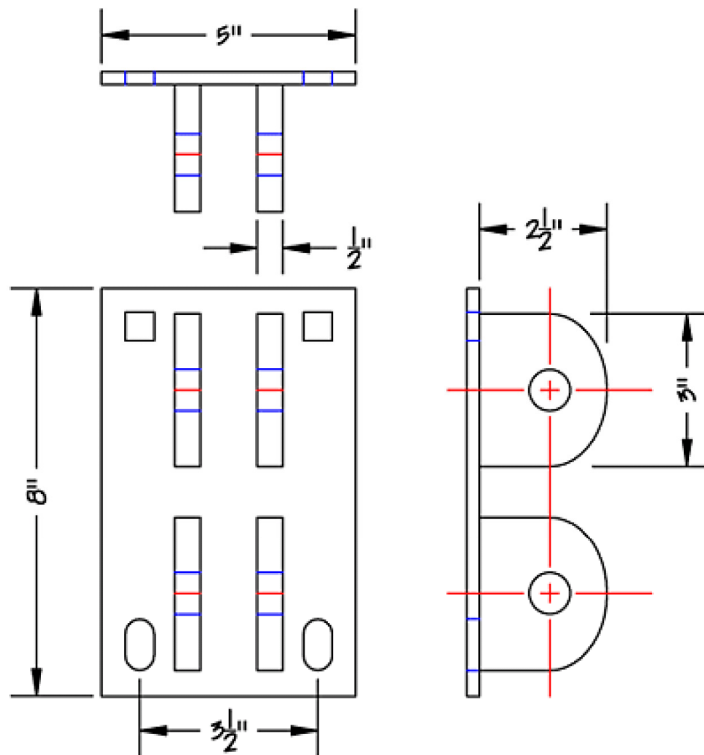





Truss Frame Hinge Female Double (TF-HFD)



The female has four $\frac{1}{2}$ " tabs with holes that will fit a $\frac{3}{4}$ " bolt or pin, and would be used on an 8" Truss Frame.

All hardware is $\frac{1}{4}$ " thick steel that is hot-dipped galvanized, unless otherwise noted.

ACCEPTANCE (SIGN & DATE)	DATE		TITLE TRUSS FRAME HINGE FEMALE - DOUBLE
CUSTOMER NAME - PRINT:			DRAWN BY:
			EFFECTIVE DATE: 10/14/09
		CHECKED:	PROJECT: AUGUST 2009
		DRAWING NO.: TF-HFD	REVISION: NTS