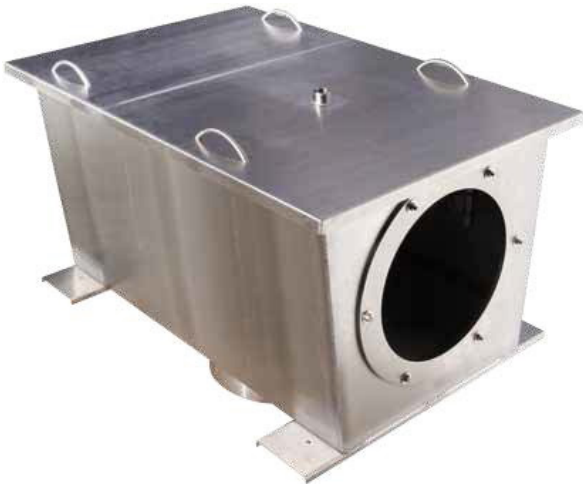




# External Filters for Graf Carat S

## No compromise with the Optimax XXL



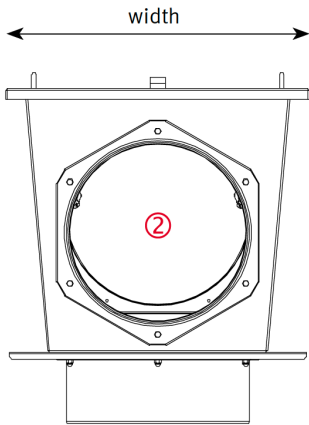
The **Optimax XXL** is an industrial take on the traditional Optimax and Optimax Pro filters, designed to meet the needs of larger scale projects. Providing over 95% water yield and an included self cleaning system this filter can handle roof surface areas up to 65,000 square feet while staying squeaky clean on the inside! Available in either 12" or 16" connection sizes, both feature a solid 314 stainless steel design and are sure to out-perform their competition.

Part #	Inlet / Outlet (in)	Description
340096	N/A	Optimax XXL External Filter and Cleaning Unit
340098	12	Optimax XXL Connection Kit for 12" Piping ( up to 35,000 sq. ft. max surface area)
340100	16	Optimax XXL Connection Kit for 16" Piping ( up to 65,000 sq. ft. max surface area)

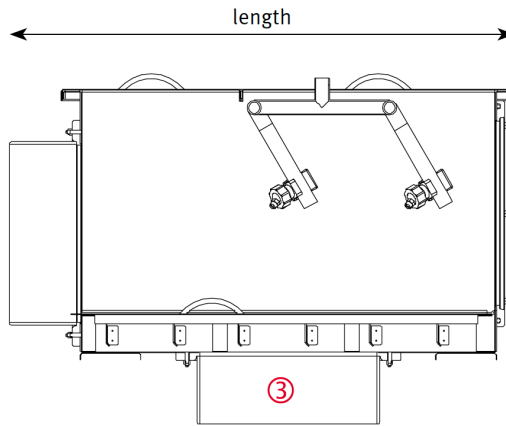




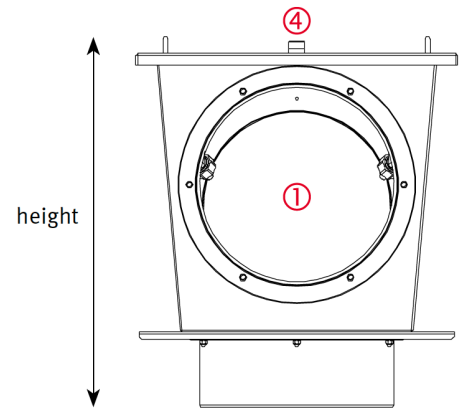
# External Filters for Graf Carat S



rear view outlet to sewer



side view



front view inlet

## Technical Specifications:

Description	12" Connection Size	16" Connection Size
Max. Roof Area	32300 sq. ft.	65000 sq. ft.
Max. Flow	6000 L / min	12000 L / min
Water Yield	over 95%	over 95%
Flow Sprayer	4800 L / min	4800 L / min
Length	44.3"	44.3"
Width	26.5"	26.5"
Height	30.7"	30.7"
Height Offset ( Inlet/Outlet )	1.7"	1.7"
Connection Inlet	12"	16"
Connection to sewer	12"	16"
Connection filtered water	12"	16"
Connection cleaning unit	1"	1"

