

# Maelstrom™

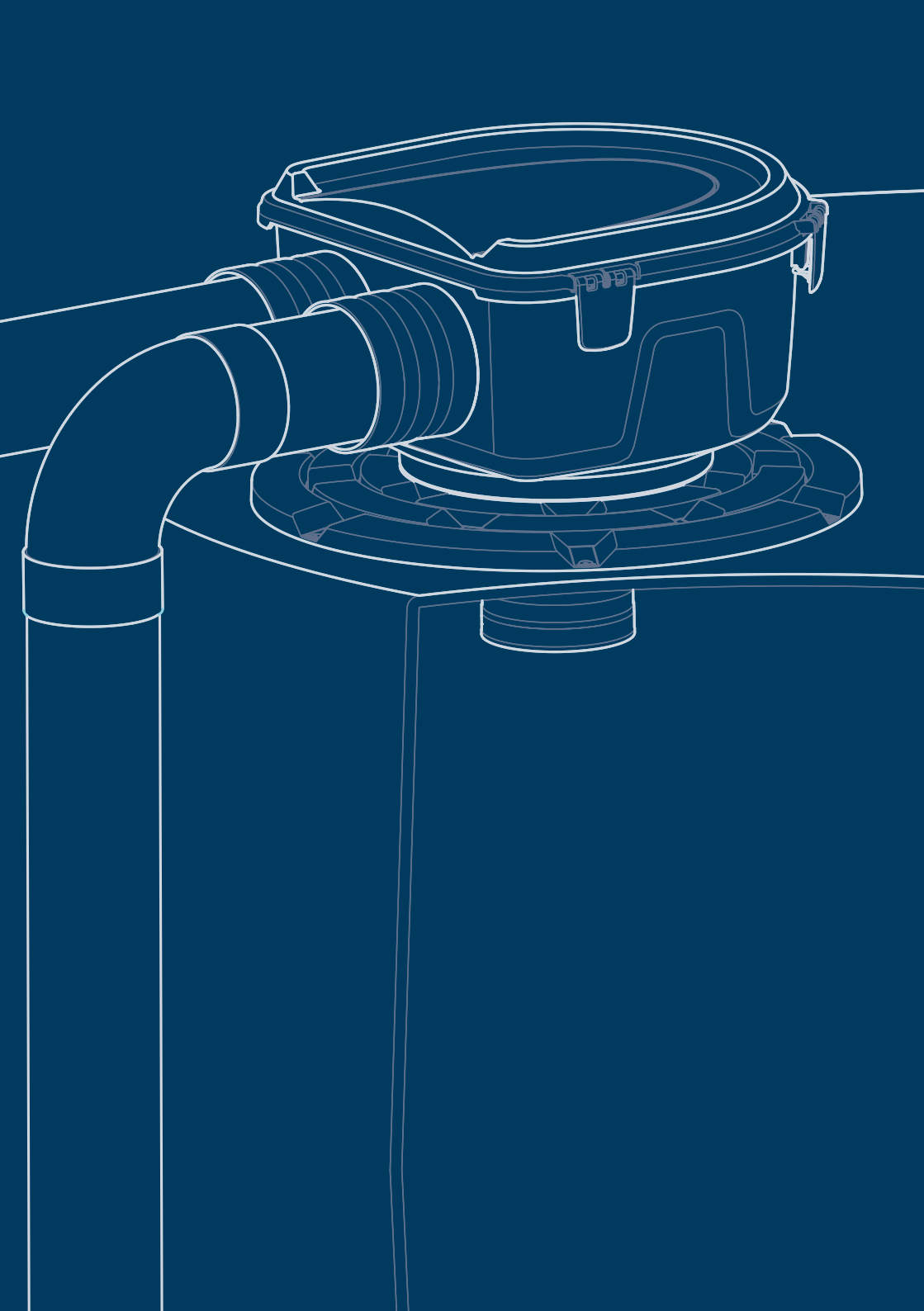


A breakthrough in  
rain harvesting technology



if it flows,  
we go with it™

**BARR Plastics Inc**  
1.800.665.4499  
[www.barrplastics.com](http://www.barrplastics.com)



# Raising rainwater to entirely new levels.

Maelstrom, the most advanced filter we have ever made, sets a new standard in pre-tank rainwater filtering

## Cleaner

Maelstrom's ultra-fine 180 micron filter removes particles 5 times smaller than standard rain-head and tank screens.

## Faster

Even at rapid flow rates of 36,000 Litres (9,510gal) per Hour, Maelstrom retains 96% water catchment efficiency.

## Higher

Filtering multiple lines at a single point is a simple way to keep tanks filled to the max.

## How It Works

- ① Rainwater from the gutters flows into the U-shaped filter.
- ② The first 2mm (0.08") filter diverts leaves and larger debris.
- ③ The second, ultra-fine 180micron filter stops even finer particles.
- ④ During major rain events, overflow helps flush out leaves & debris.
- ⑤ A final 0.955mm (0.04") screen prevents mosquitoes entering tanks to breed.
- ⑥ The filtered water is funnelled through the base into the tank.





# Suitable for just about anywhere

## It tackles the big issues.

Maelstrom plays a major role in tackling some of the biggest issues facing rain harvesters like:

- Having enough water.
- Filtering leaves and debris.
- Removing suspended particles.
- Securing the tank to keep out pests (including mosquitoes) and sunlight (to prevent algae growth).
- Easy maintenance.

## Easy install on systems new & old.

The Maelstrom is compatible with all your standard rain harvesting set-ups including:

- Tank Top
- In-Tank
- In-Ground
- Wall Mounted



RESIDENTIAL  
PROPERTIES.



REMOTE AREAS  
& FARMSTEADS.



COMMERCIAL  
& LOCAL RETAIL.



SCHOOLS  
& UNIVERSITIES.



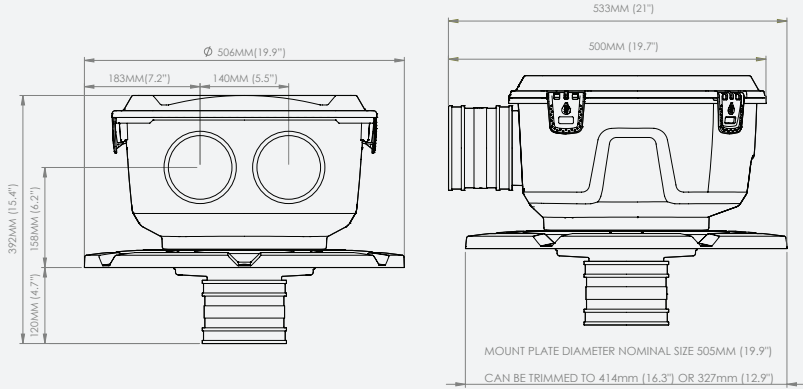
SUSTAINABLE LIVING  
& GREEN BUILDINGS.



TRANSPORTATION  
HUBS.

**Insist on a clear, colourless,  
odourless and plentiful rain  
water supply.**

# Specifications



Primary Filter	2mm (0.08") Aperture, Polypropylene
Secondary Filter	0.18mm (180µm) Aperture, Nylon
Mosquito Proof Screen	0.955mm (0.04") Aperture, SS316
Inlet & Outlet Pipe Size	DN100 (110mm OD) / 4" OD
Coupling	Flexible, EPDM
Body & Base Plate	ABS, Polypropylene

## Performance Data

Water Catchment Efficiency @	5L (1.32gal) / second*	99%
Water Catchment Efficiency @	10L (2.64gal) / second*	96%

\*For wet/charged system configuration with clean water flow