



barrplastics.com
1-800-665-4499

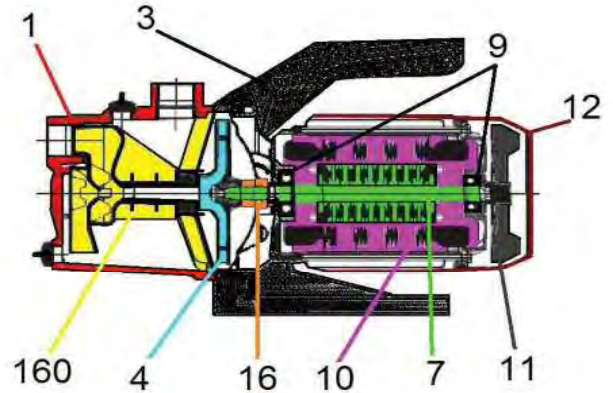
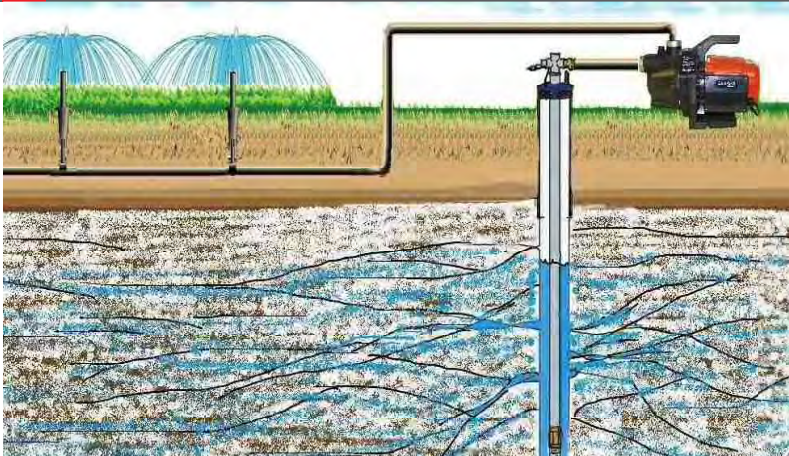
LEADER
DWT GROUP



SELF PRIMING PUMPS ECOJET



ECOJET



TECHNICAL DATA

Pos.	Description	Material
1	Pump Body	TECHNOPOLYMER A
3	Pump Support	TECHNOPOLYMER A
4	Impeller	TECHNOPOLYMER A
7	Rotor Shaft	STAINLESS STEEL AISI 416 X12 CrS13
9	Bearings	OVER SIZED, SEALED FOR LIFE
10	Motor Stator	CAST ALUMINIUM
11	Cooling Fan	TECHNOPOLYMER A
12	Fan Cover	TECHNOPOLYMER A
16	Mechanical Seal	CARBON/CERAMIC
160	Venturi Nozzel kit	TECHNOPOLYMER A

SELF PRIMING JET PUMPS

Applications

High reliable self priming JET Pumps with excellent suction capability with allows the free passage of air bubbles, for supplying water for domestic applications.

- * Pressure Boosting
- * Residential Homes
- * Farming Applications
- * Resedential Irrigation
- * Garden Irrigation Drip/Low Flow
- * Hydroponics
- * Rain Water Harvesting
- * Water Supply from Shallow Wells

TECHNICAL DATA

FEATURES & BENIFITS

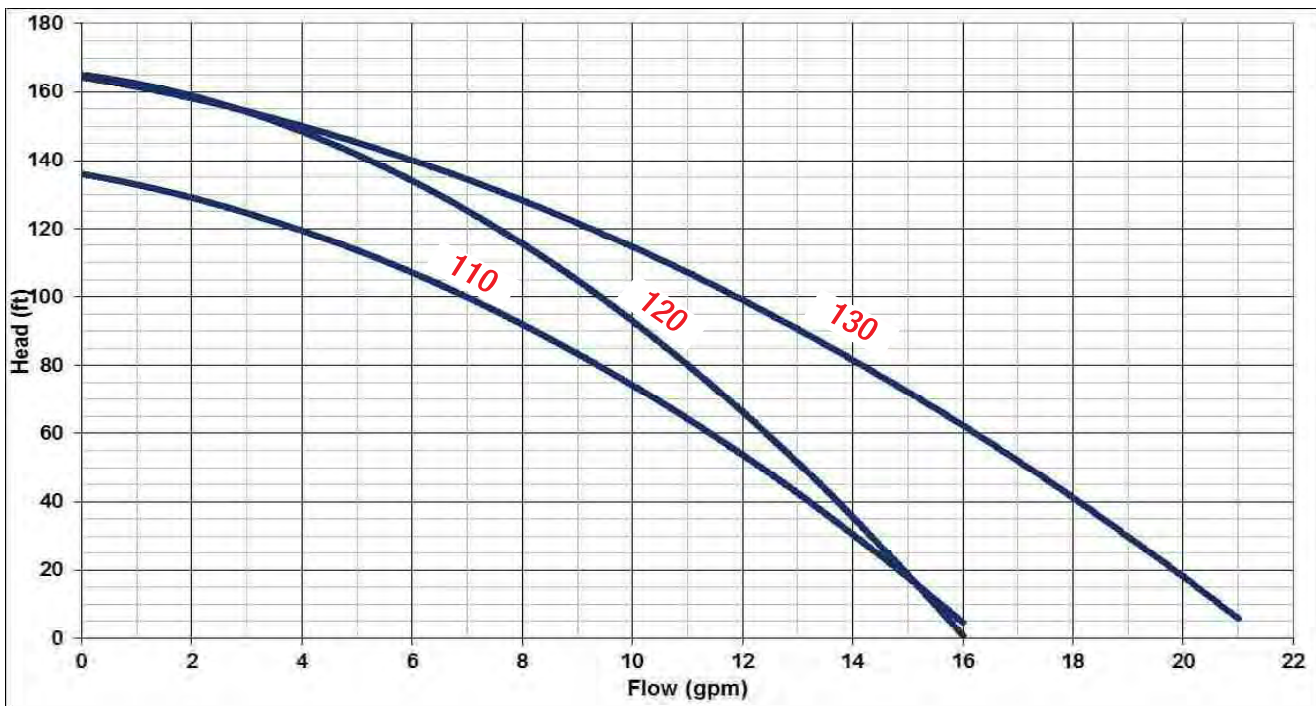
- Can be used with multipul different types of controls
- Anti-corrosive and rust-proof materials
- Motor with thermic overload protection
- Wear resistant shaft and impeller
- Double sealing system between the motor and the hydraulic section
- Resistance to frost and icing
- Manual on /off switch
- Supplied with power cable with plug

ECOJET HYDRAULIC DATA

TECHNICAL DATA

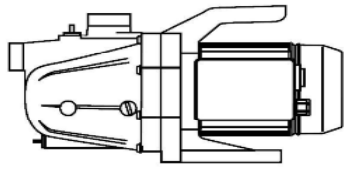
Model	HP	Watts	Volts	Frequency	Amps	Max suction Depth	Max Flow	Max Head	Suction	Dis-charge
ECOJET 110	1/2	800	115	60 Hz	8	26 ft	16 gpm	138 ft	1"	1"
ECOJET 120	3/4	1000	115	60 Hz	10		16 gpm	164 ft		
ECOJET 130	1	1250	115	60 Hz	13		21 gpm	164 ft		

TECHNICAL DATA



DIMENSIONS

Model	Lenght	Depth	Height	Weight	Pallet Qty
ECOJET 110	16.3"	8.3"	10.6"	19 lbs	21
ECOJET 120	16.3"	8.3"	10.6"	20 lbs	
ECOJET 130	16.3"	8.3"	10.6"	23 lbs	



l x d x h